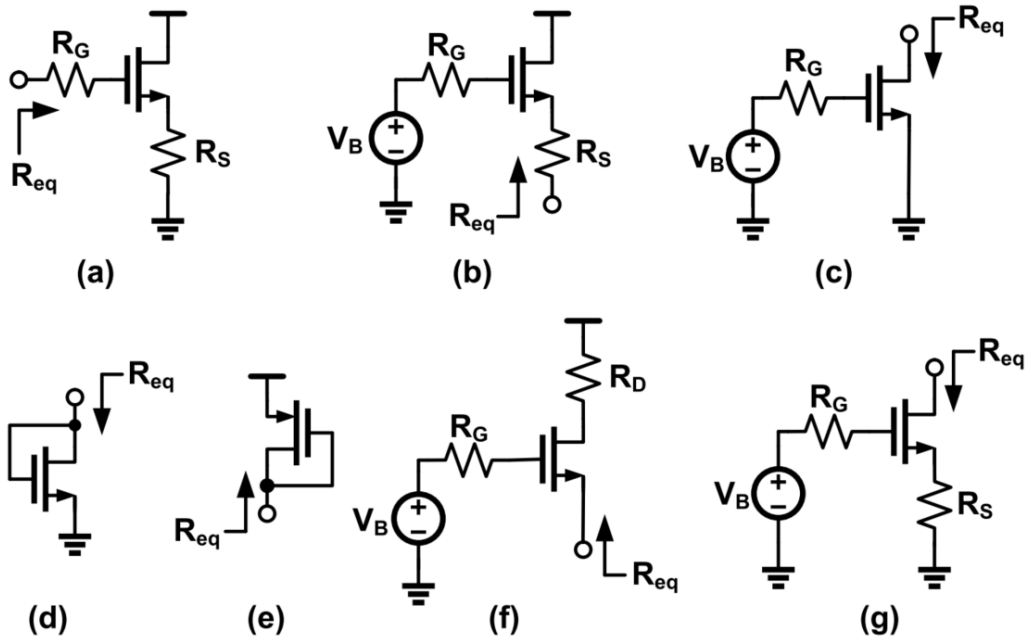


1. Using incremental model, derive the expression for equivalent impedance of the configurations shown below. You may assume all transistors are biased in saturation region and  $r_{ds} \neq \infty$



2. Using the results from Problem 1, determine the equivalent impedance for the configurations shown below. You may assume all transistors are biased in saturation region and  $r_{ds} \neq \infty$

