

ECE 342

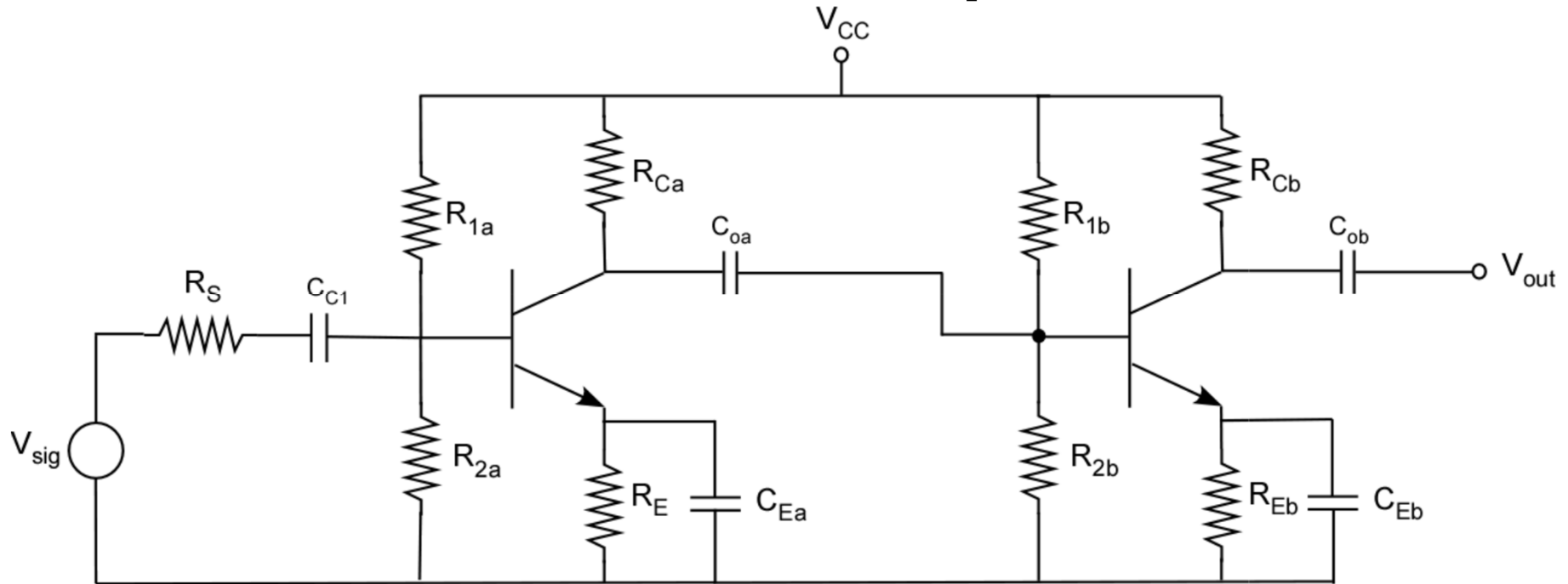
Electronic Circuits

Lecture 26

Frequency Response of Cascaded Amplifiers

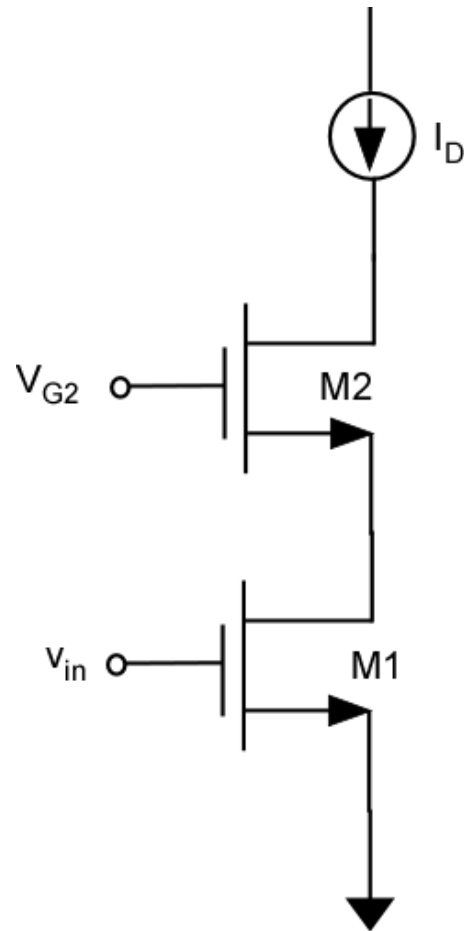
Jose E. Schutt-Aine
Electrical & Computer Engineering
University of Illinois
jesa@Illinois.edu

CE Cascade Amplifier



- Exact analysis too tedious → use computer
- CE cascade has low upper-cutoff frequency

MOS Cascode Amplifier



Common source amplifier,
followed by common gate
stage – G_2 is an incremental
ground

$$\text{Define } g_{o1} = \frac{1}{r_{o1}}$$

$$g_{o2} = \frac{1}{r_{o2}}$$

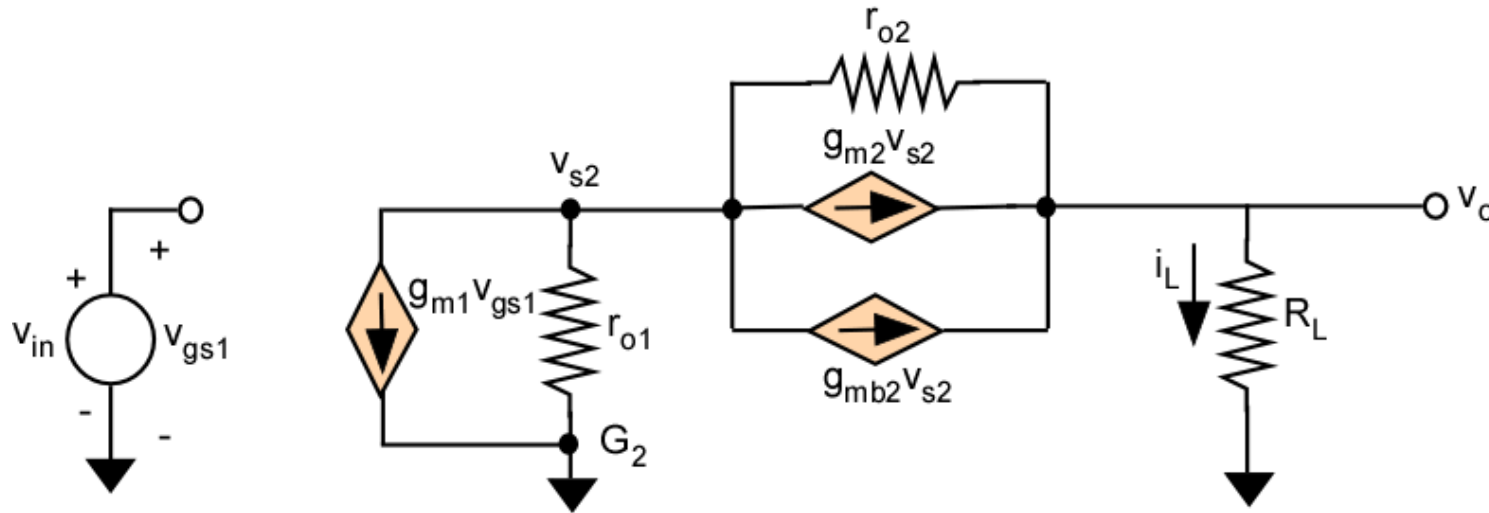
$$G_L = \frac{1}{R_L}$$

$R_L = \text{current source impedance}$

MOS Cascode Amplifier

- CS cascaded with CG → Cascode
 - Very popular configuration
 - Often considered as a single stage amplifier
- Combine high input impedance and large transconductance in CS with current buffering and superior high frequency response of CG
- Can be used to achieve equal gain but wider bandwidth than CS
- Can be used to achieve higher gain with same GBW as CS

MOS Cascode Incremental Model



$$v_o = \frac{i_L}{G_L}$$

$$i_L = g_{mb2}v_{s2} + g_{m2}v_{s2} + (v_{s2} - v_o)g_{o2}$$

$$i_L = v_{s2}(g_{mb2} + g_{m2}) + v_{s2}g_{o2} - \frac{i_L}{G_L}g_{o2}$$

MOS Cascode Analysis

$$i_L \left(1 + \frac{g_{o2}}{G_L} \right) = v_{s2} (g_{mb2} + g_{m2} + g_{o2})$$

$$v_{s2} = \frac{i_L (1 + g_{o2} / G_L)}{g_{mb2} + g_{m2} + g_{o2}}$$

KCL at v_{s2}

$$g_m v_{gs1} + v_{s2} g_{o1} + g_{m2} v_{s2} + g_{mb2} v_{s2} + g_{o2} (v_{s2} - v_o) = 0$$

MOS Cascode Analysis

$$g_{m1}v_{gs1} + \left[\frac{g_{o1}(1 + g_{o2}/G_L)}{g_{o2} + g_{m2} + g_{mb2}} + 1 \right] i_L = 0$$

$$i_L = \frac{-g_{m1}v_{gs1}}{\left[1 + \frac{g_{o1}(1 + g_{o2}/G_L)}{g_{o2} + g_{m2} + g_{mb2}} \right]}$$

$$\frac{v_o}{v_{in}} = \frac{-g_{m1}}{\left[G_L + \frac{g_{o1}(G_L + g_{o2})}{g_{o2} + g_{m2} + g_{mb2}} \right]}$$

→ Two cases

MOS Cascode Analysis

CASE 1

Case 1: If $G_L \approx 0$

The voltage gain becomes

$$\frac{v_o}{v_{in}} = -g_{m1} (g_{o2} + g_{m2} + g_{mb2}) r_{o1} r_{o2}$$

$$A_{MB} = -[g_{m1} g_{o2} + g_{m1} g_{m2} + g_{m1} g_{mb2}] r_{o1} r_{o2}$$

$$A_{MB} \approx -g_{m1} r_{o1} g_{m2} r_{o2}$$

MOS Cascode Analysis

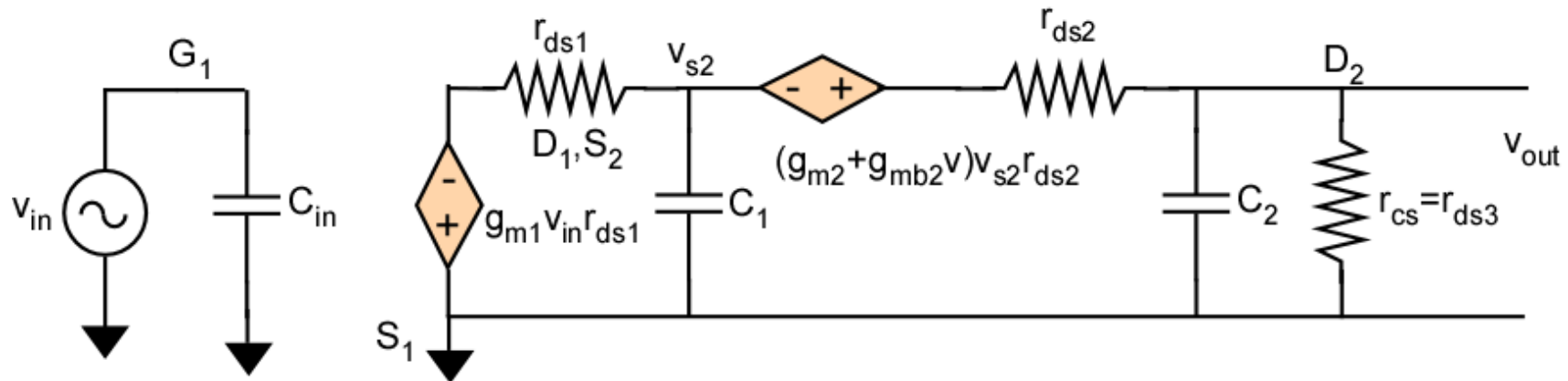
CASE 2

$$\text{Case 2: If } G_L \gg \frac{g_{o1}(G_L + g_{o2})}{g_{o2} + g_{m2} + g_{mb2}}$$

The voltage gain becomes

$$\frac{v_o}{v_{in}} = A_{MB} = \frac{-g_{m1}}{G_L}$$

MOS Cascode at High Frequency



The upper corner frequency of the cascode can be approximated as:

$$f_{2o} \approx \frac{1}{2\pi r_{ds3} C_2} \quad \text{where } C_2 = C_{db2} + C_{gd2} + C_{db3} + C_{gd3}$$

MOS Cascode at High Frequency

- Capacitance C_{gs1} sees a resistance R_{sig}
- Capacitance C_{gd1} sees a resistance R_{gd1}
- Capacitance $(C_{db1} + C_{gs2})$ sees resistance R_{d1}
- Capacitance $(C_L + C_{gd2})$ sees resistance $(R_L || R_{out})$

$$R_{gd1} = (1 + g_{m1}R_{d1})R_{sig} + R_{d1} \qquad R_{d1} = r_{o1} \parallel \left[\frac{1}{g_{m2} + g_{mb2}} + \frac{R_L}{A_{vo2}} \right]$$

$$\tau_H = C_{gs1}R_{sig} + C_{gd1} \left[(1 + g_{m1}R_{d1})R_{sig} + R_{d1} \right] \\ + (C_{db1} + C_{gs2})R_{d1} + (C_L + C_{gds2})(R_L \parallel R_{out})$$

$$f_H \cong \frac{1}{2\pi\tau_H}$$

MOS Cascode at High Frequency

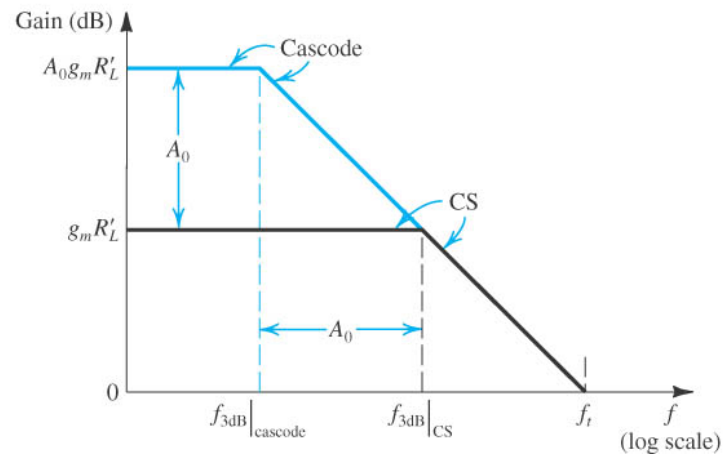
If R_{sig} is large, to extend the bandwidth we must lower R_L . This lowers R_{d1} and makes the Miller effect insignificant

If R_{sig} is small, there is no Miller effect. A large value of R_L will give high gain

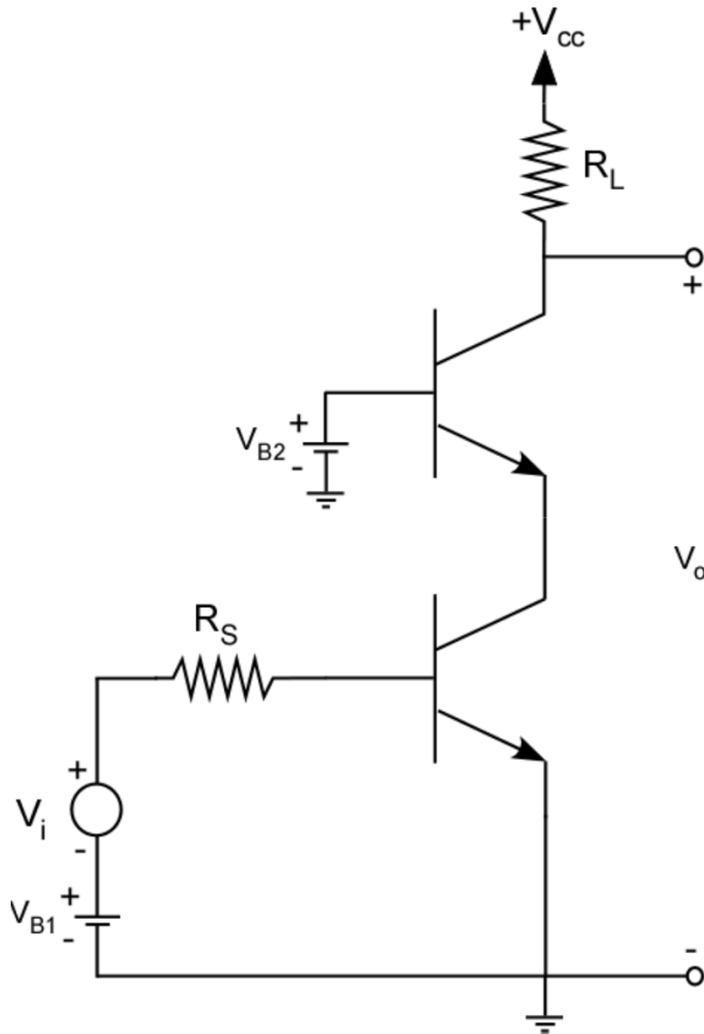
Effect of Cascoding

(when $R_{sig}=0$)

	Common Source	Cascode
Circuit		
DC Gain	$-g_m R'_L$	$-A_0 g_m R'_L$
f_{3dB}	$\frac{1}{2\pi(C_L + C_{gd})R'_L}$	$\frac{1}{2\pi(C_L + C_{gd})A_0 R'_L}$
f_t	$\frac{g_m}{2\pi(C_L + C_{gd})}$	$\frac{g_m}{2\pi(C_L + C_{gd})}$



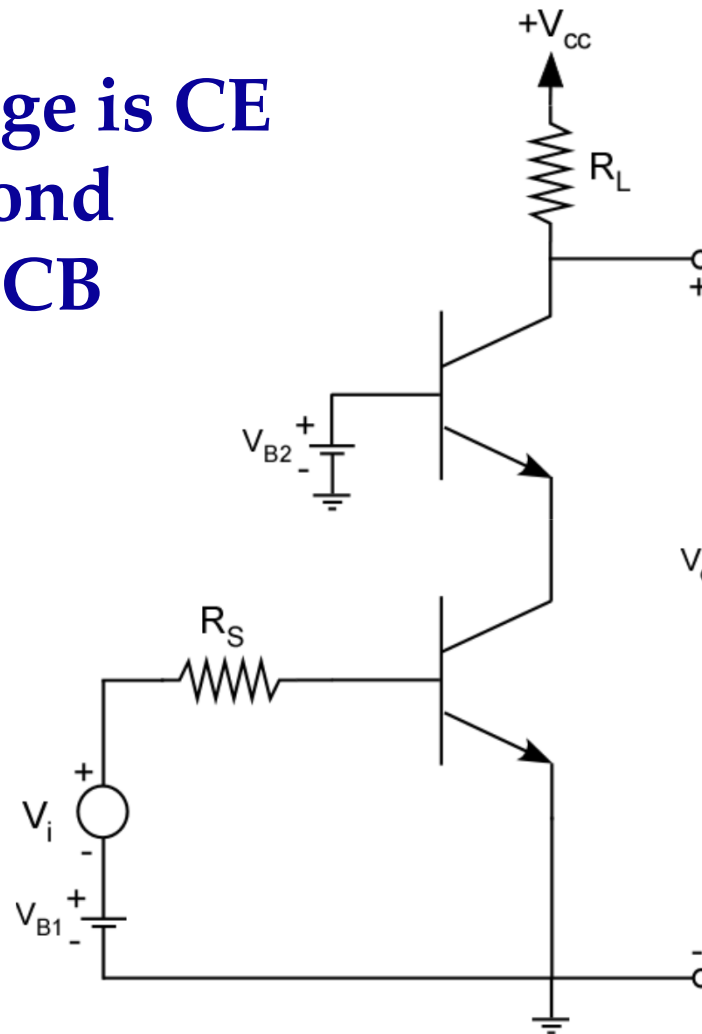
BJT Cascode Amplifier



Common emitter amplifier, followed by common base stage – Base of Q_2 is an incremental ground

Cascode Amplifier

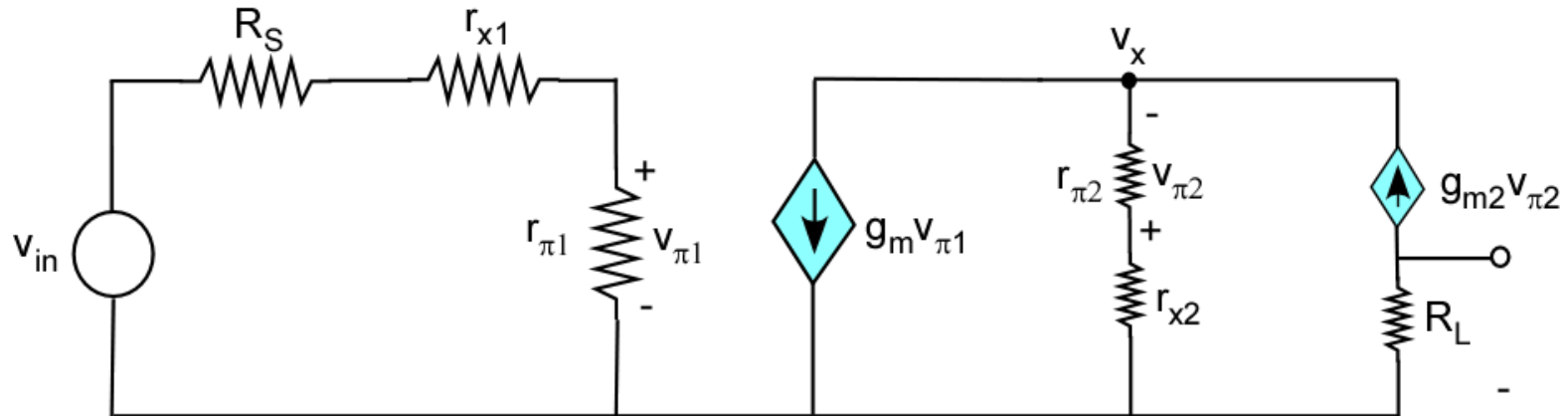
First stage is CE
and second
stage is CB



If $R_s \ll r_{\pi 1}$, the
voltage gain can
be approximated
by

$$A_v = -g_{m1} \alpha_2 R_L$$

BJT Cascode Incremental Model



$$v_o = -g_{m2} R_L v_{\pi 2}$$

$$v_{\pi 2} = -\left(\frac{v_x r_{\pi 2}}{r_{x2} + r_{\pi 2}} \right) \Rightarrow v_x = \left(1 + \frac{r_{x2}}{r_{\pi 2}} \right) v_{\pi 2}$$

BJT Cascode Analysis

$$\frac{v_x}{r_{\pi 2} + r_{x2}} + g_{m1} v_{\pi 1} = -g_{m2} v_{\pi 2}$$

Ignoring r_{x2}

$$-\frac{v_{\pi 2}}{r_{\pi 2}} + g_{m1} v_{\pi 1} = -g_{m2} v_{\pi 2}$$

$$g_{m1} v_{\pi 1} = v_{\pi 2} \left(g_{m2} + \frac{1}{r_{\pi 2}} \right)$$

BJT Cascode Analysis

$$v_{\pi 1} = v_{in} \frac{r_{\pi 1}}{R_s + r_{x1} + r_{\pi 1}}$$

$$v_{\pi 2} = \frac{g_{m1} r_{\pi 1} v_{in}}{R_s + r_{x1} + r_{\pi 1}} \cdot \frac{1}{\left(g_{m2} + \frac{1}{r_{\pi 2}} \right)}$$

$$v_o = \frac{-g_{m2} R_L g_{m1} r_{\pi 1} v_{in}}{R_s + r_{x1} + r_{\pi 1}} \cdot \frac{1}{\left(g_{m2} + \frac{1}{r_{\pi 2}} \right)}$$

BJT Cascode Analysis

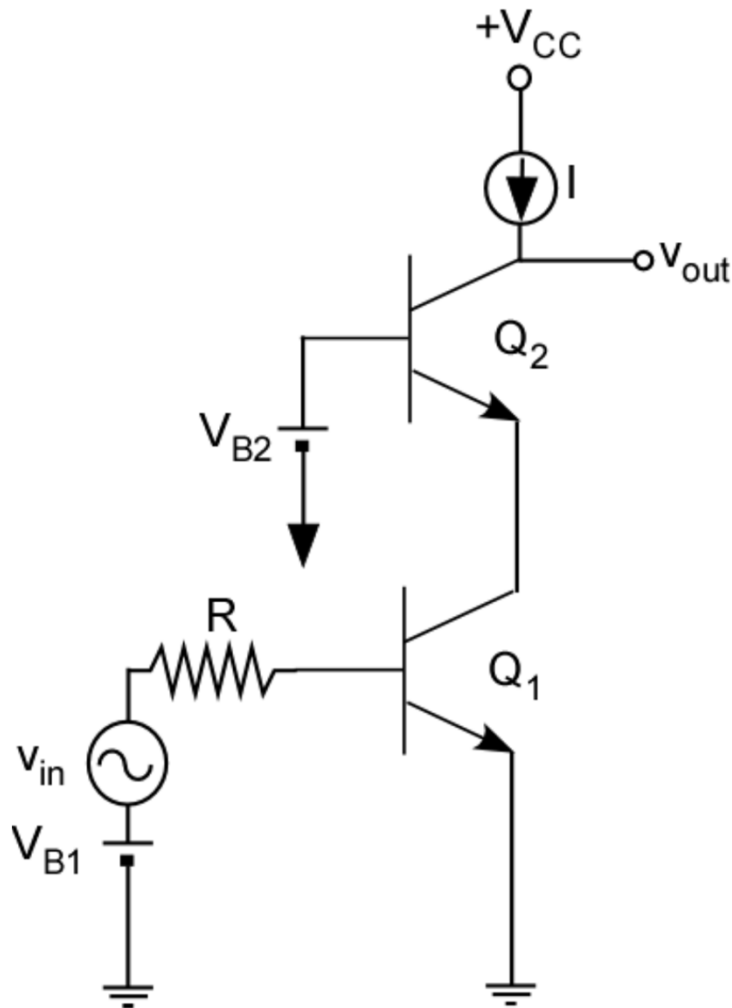
$$\frac{v_o}{v_{in}} = \frac{-g_{m2}r_{\pi2}g_{m1}r_{\pi1}R_L}{(R_s + r_{x1} + r_{\pi1})(1 + g_{m2}r_{\pi2})}$$

$$\frac{v_o}{v_{in}} = \frac{-\beta_1\beta_2R_L}{(R_s + r_{x1} + r_{\pi1})(\beta_2 + 1)}$$

If $R_s \ll r_{x1} + r_{\pi1}$, the voltage gain can be approximated by

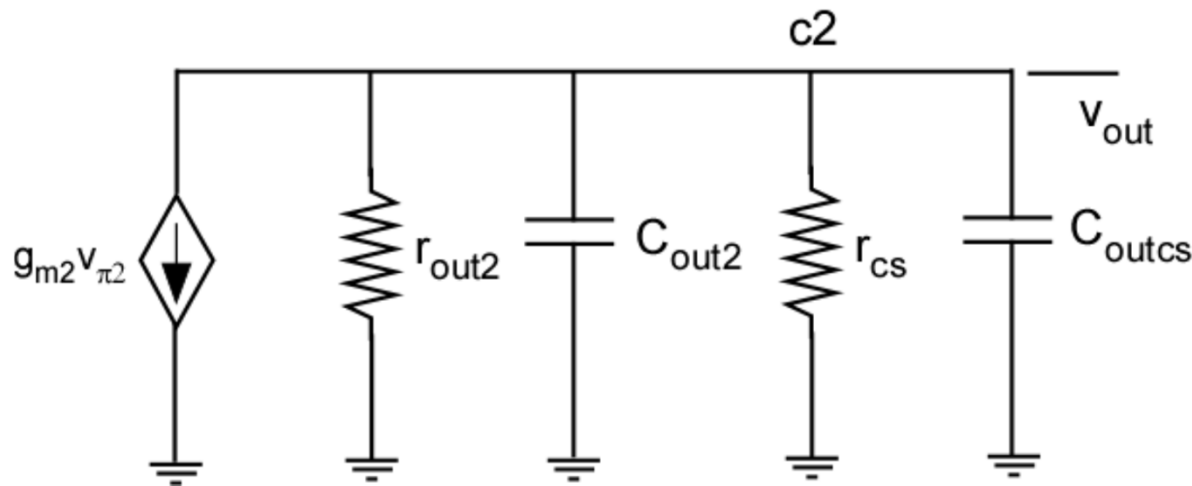
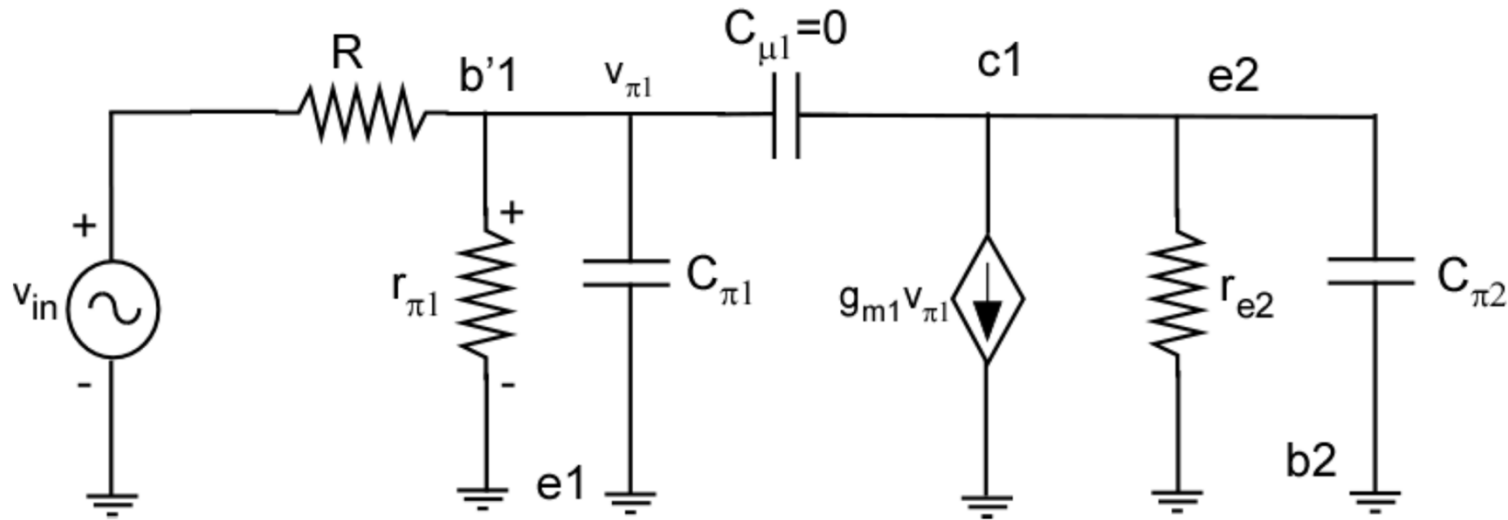
$$A_v = -g_{m1}\alpha_2R_L$$

BJT Cascode at High Frequency



Define r_{cs} as the internal impedance of the current source. R includes generator resistance and base resistance r_{x1} base of Q_1

BJT Cascode at High Frequency



There is no Miller multiplication from the input of Q2 (emitter) to the output (collector).

BJT Cascode at High Frequency

$$\text{Define } R_3 = r_{out2} \parallel r_{cs}$$

$$A = A_{MB} \frac{1}{1 + j\omega C_{\pi1} (r_{\pi1} \parallel R)} \frac{1}{1 + j\omega r_{e2} C_{\pi2}} \frac{1}{1 + j\omega R_3 C_{out}}$$

$$f_2 = \frac{1}{2\pi r_{e2} C_{\pi2}} \quad f_{in-high} = \frac{1}{2\pi (r_{\pi1} \parallel R) C_{\pi1}}$$

$$A = A_{MB} \frac{1}{1 + j \frac{f}{f_{in-high}}} \frac{1}{1 + j \frac{f}{f_{out-high}}}$$

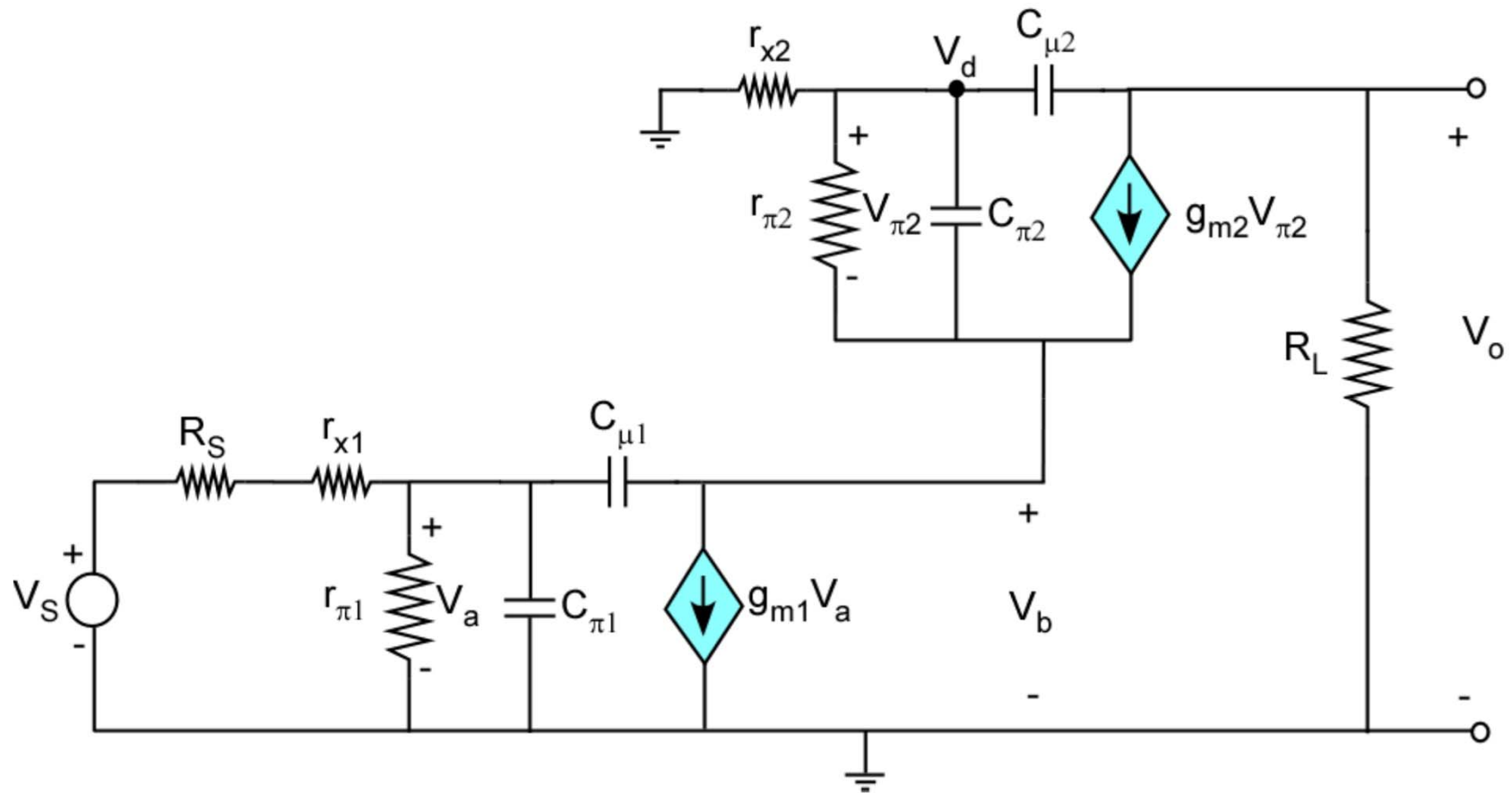
BJT Cascode at High Frequency

$$f_{out-high} = \frac{1}{2\pi C_{out} R_3}$$

$$C_{out} = C_{out2} + C_{outcs}$$

C_{outcs} = current source output capacitance

Cascode Amplifier – High Frequency



High-frequency incremental model

Cascode Amplifier – High Frequency

Applying Kirchoff's current law to each node:

$$G'_s V_i = \left[G'_s + g_{\pi 1} + s(C_{\pi 1} + C_{\mu 1}) \right] V_a - sC_{\mu 1} V_b$$

$$0 = (g_{m1} - sC_{\mu 1}) V_a + \left[g_{\pi 2} + g_{m2} + s(C_{\pi 2} + C_{\mu 1}) \right] V_b - (g_{\pi 2} + g_{m2} - sC_{\pi 2}) V_d$$

$$0 = -(g_{\pi 2} - sC_{\pi 2}) V_b + \left[g_{x2} + g_{\pi 2} + s(C_{\pi 2} + C_{\mu 2}) \right] V_d - sC_{\mu 2} V_o$$

$$0 = -g_{m2} V_b + (g_{m2} - sC_{\mu 2}) V_d + (G_L + sC_{\mu 2}) V_o$$

Find solution using a computer

Cascode Amplifier – High Frequency

As an example use:

$$g_m = 0.4 \text{ mhos}$$

$$r_\pi = 250 \text{ ohms}$$

$$C_\pi = 100 \text{ pF}$$

$$G_L = 5 \text{ mmhos}$$

$$\beta = 100$$

$$r_x = 20 \text{ ohms}$$

$$C_\mu = 5 \text{ pf}$$

$$G_S' = 4.5 \text{ mmhos}$$

ZEROS (nsec⁻¹)

$$s_a = 8.0$$

$$s_b = -2.02 + j5.99$$

$$s_c = -2.02 - j5.99$$

POLES (nsec⁻¹)

$$s_d = -0.0806$$

$$s_e = -0.644$$

$$s_f = -4.05$$

$$s_g = -16.45$$

Cascode Amplifier – High Frequency

If one pole is at a much lower frequency than the zeros and the other poles, (dominant pole) we can approximate ω_{3dB}

$$\omega_{3dB} \approx 0.0806 \times 10^9 \text{ rad / sec}$$

$$f_{3dB} \approx 12.9 \text{ MHz}$$

For the same gain, a single stage amplifier would yield:

$$\omega_{3dB} \approx 0.0169 \times 10^9 \text{ rad / sec}$$

$$f_{3dB} \approx 2.7 \text{ MHz}$$

Second stage in cascode increases bandwidth