

ECE 342

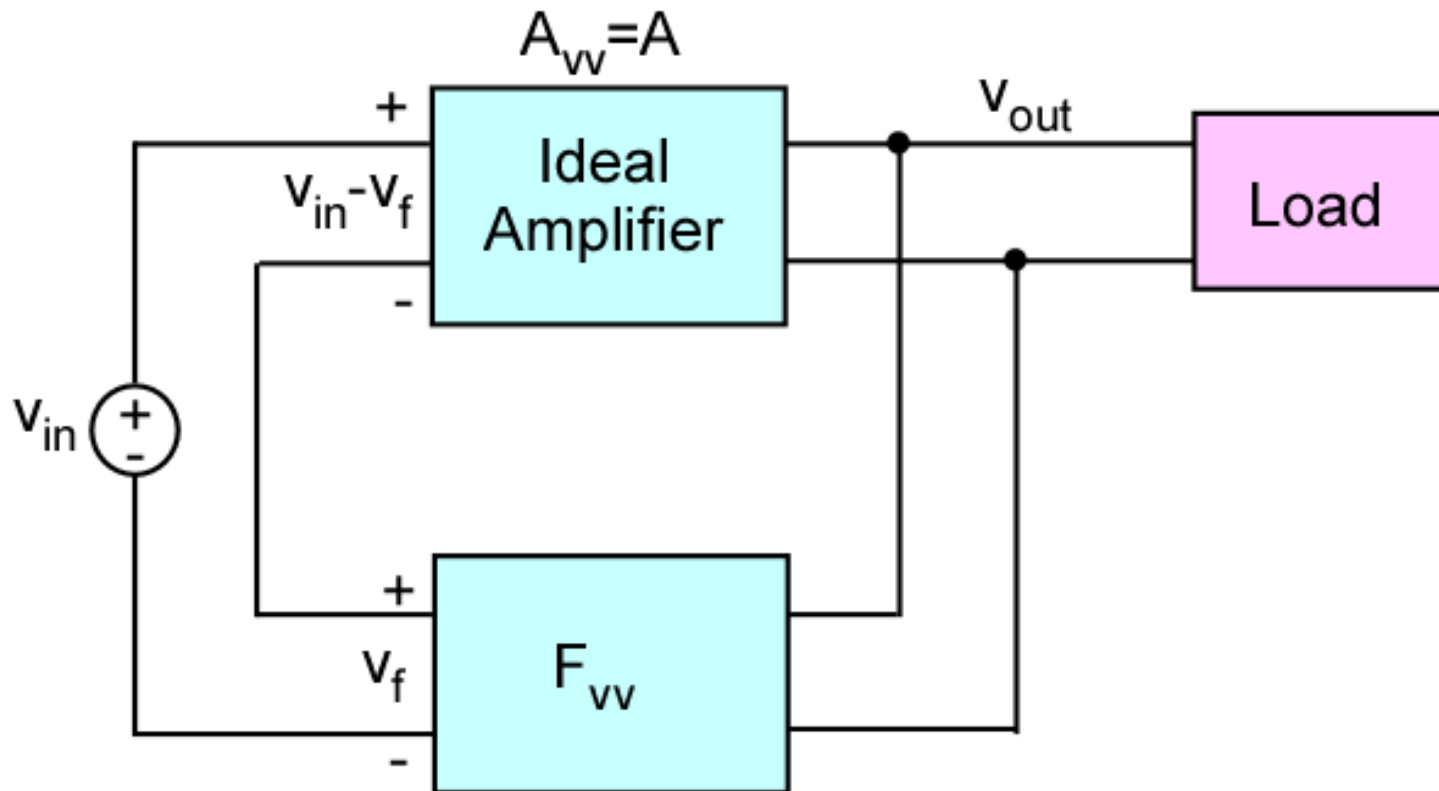
Electronic Circuits

Lecture 28

Feedback Topologies

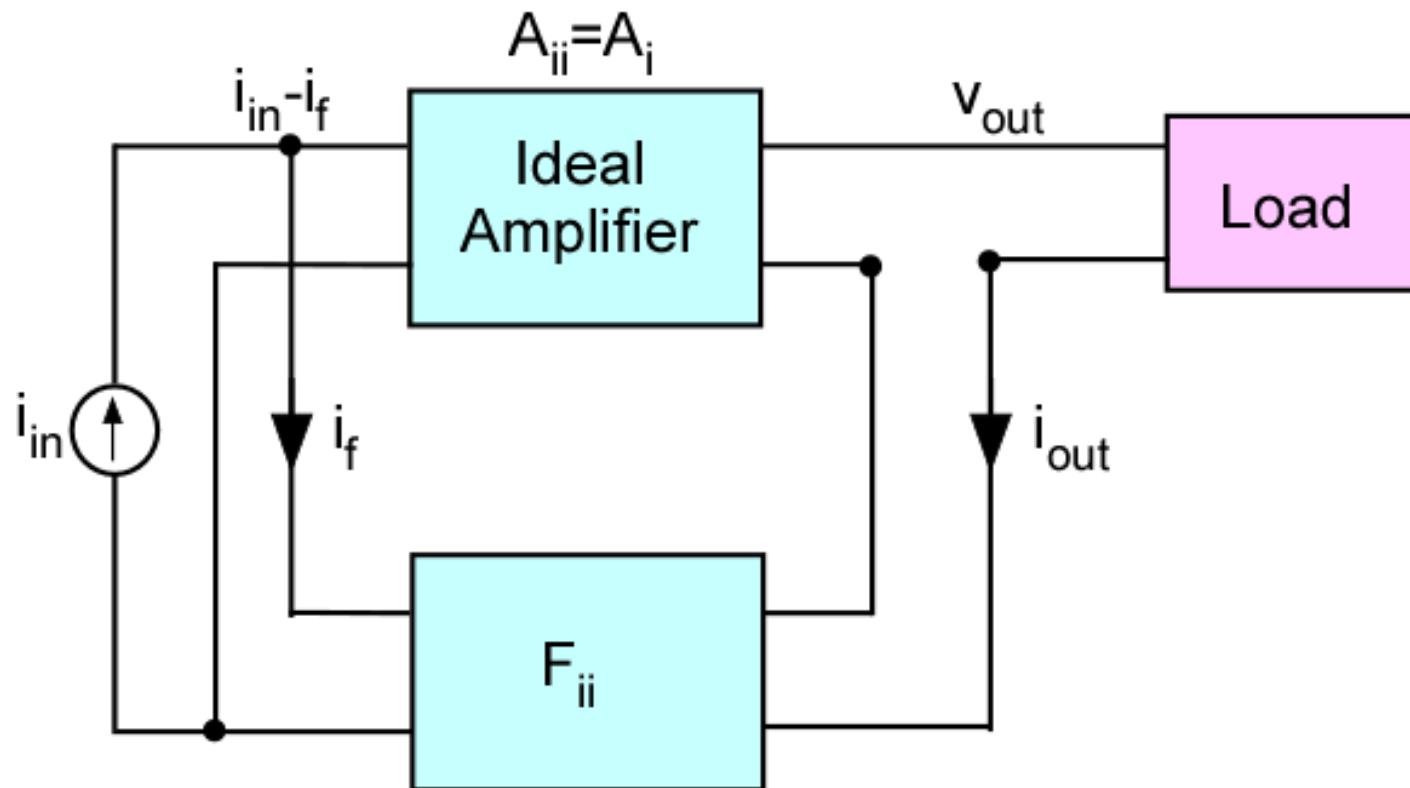
Jose E. Schutt-Aine
Electrical & Computer Engineering
University of Illinois
jesa@illinois.edu

Series-Shunt Feedback



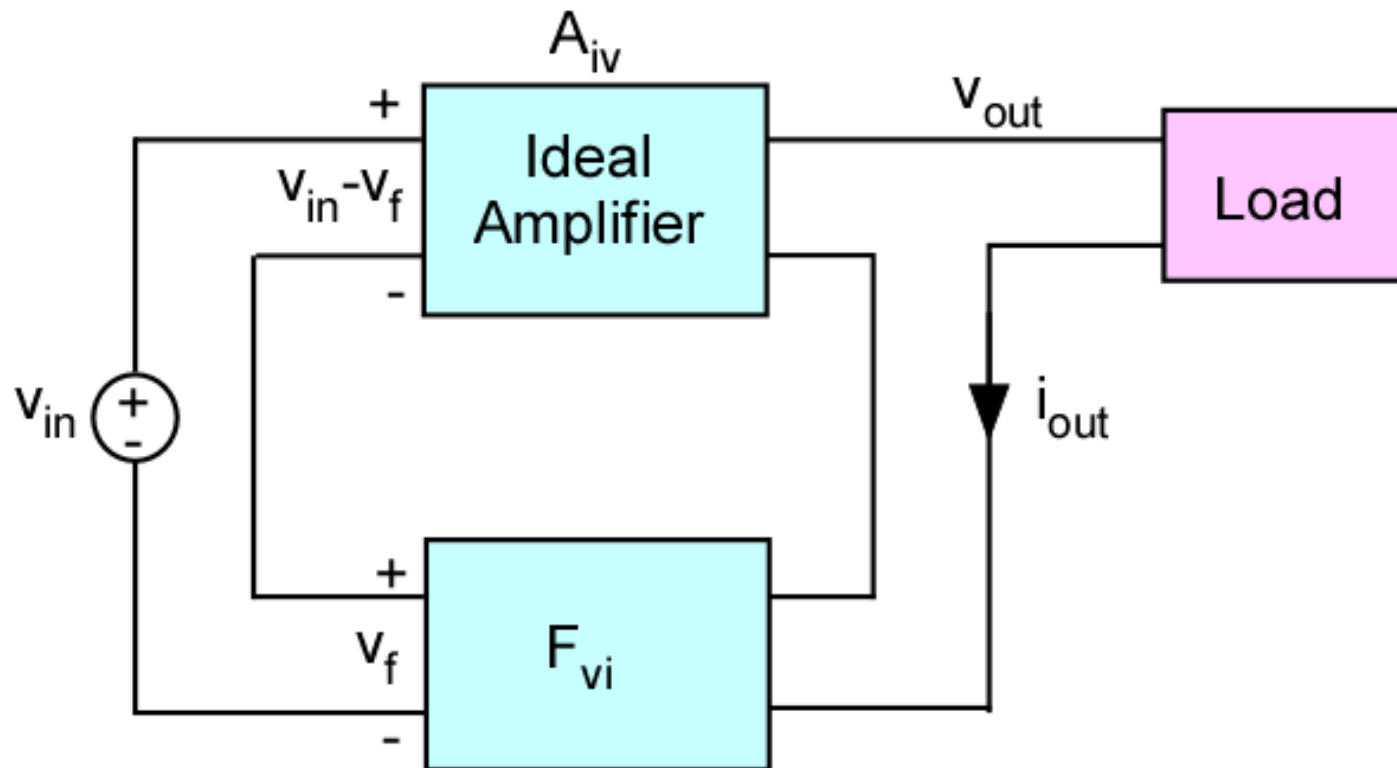
Voltage mixing-voltage sampling feedback

Shunt- Series Feedback



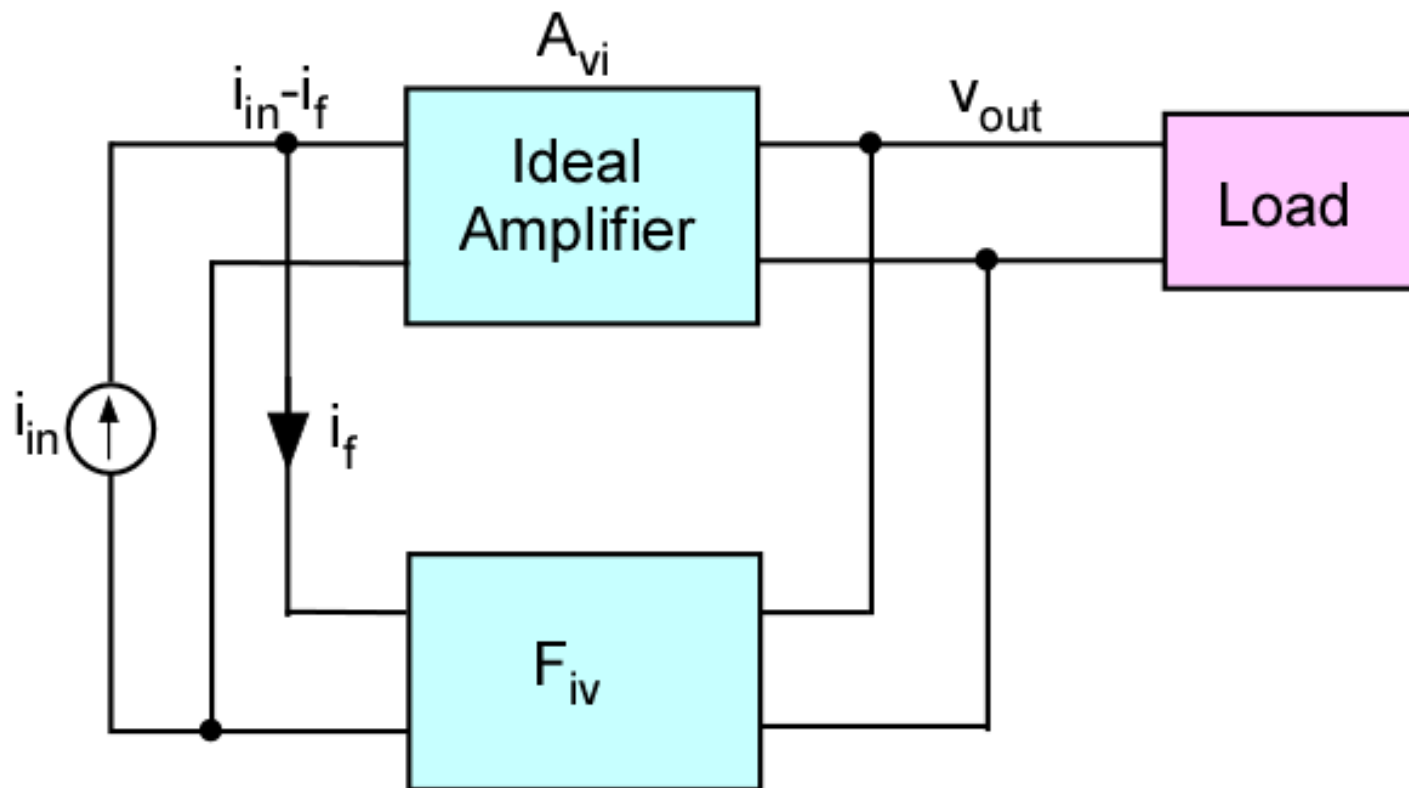
Current mixing-current sampling feedback

Series-Series Feedback



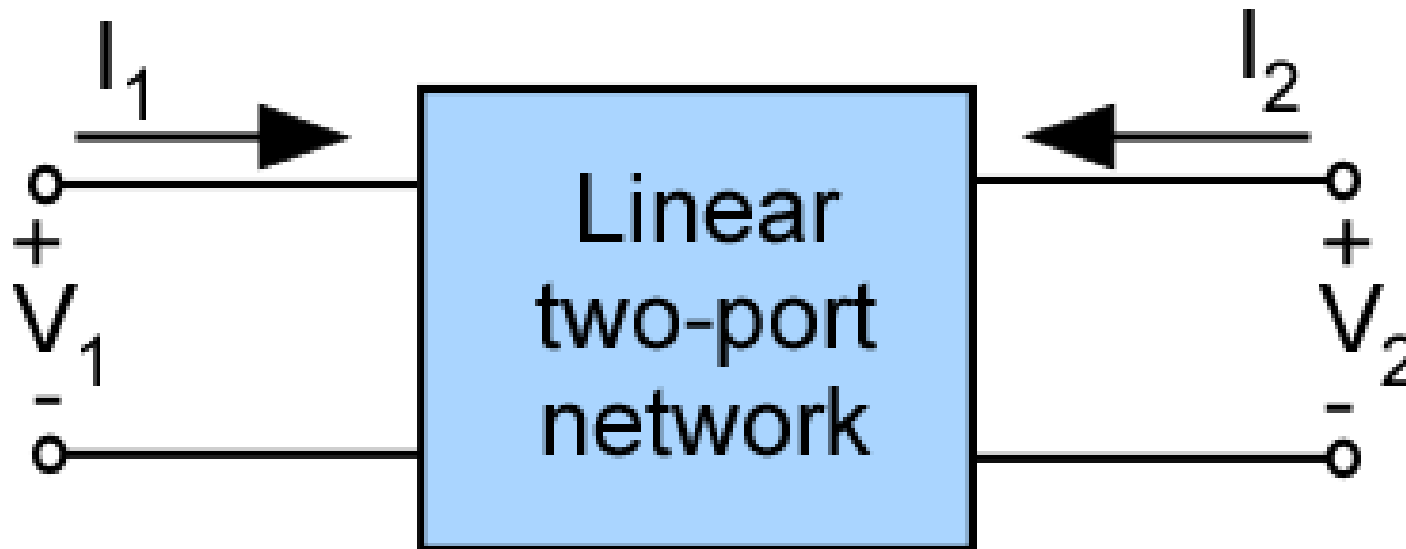
Voltage mixing-current sampling feedback

Shunt-Shunt Feedback



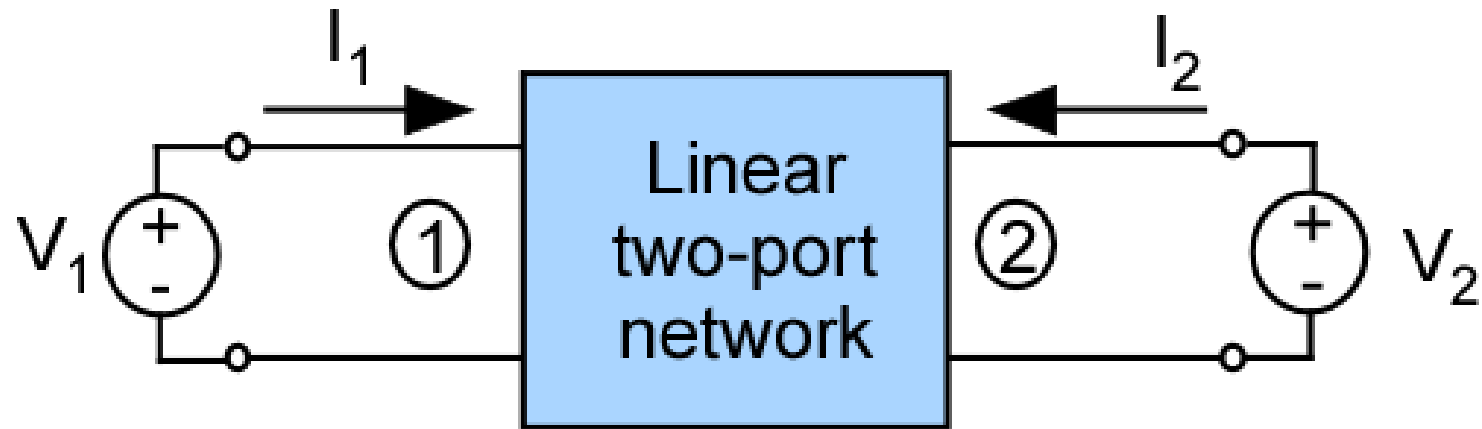
Current mixing-voltage sampling feedback

Transfer Function Representation



Use a two-terminal representation of system for input and output

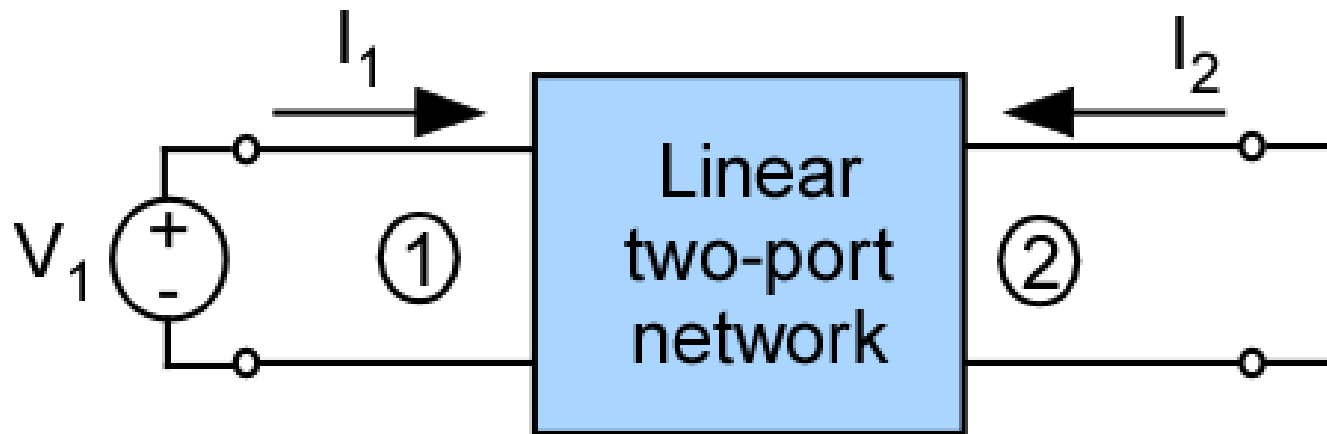
Y-parameter Representation



$$I_1 = y_{11}V_1 + y_{12}V_2$$

$$I_2 = y_{21}V_1 + y_{22}V_2$$

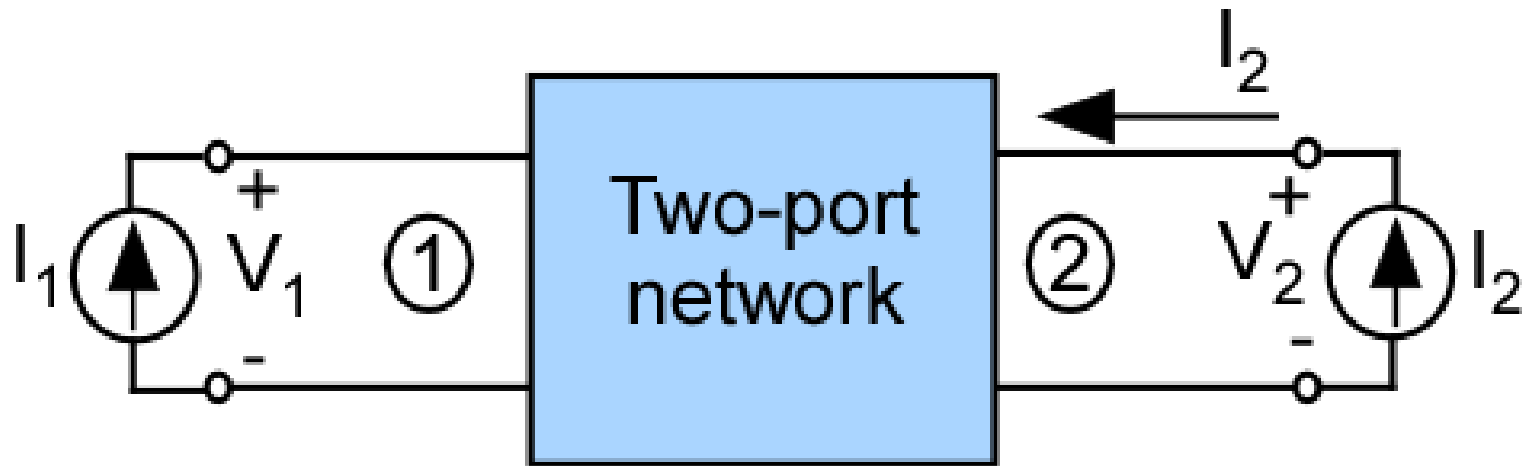
Y Parameter Calculations



$$y_{11} = \left. \frac{I_1}{V_1} \right|_{V_2=0} \quad y_{21} = \left. \frac{I_2}{V_1} \right|_{V_2=0}$$

To make $V_2=0$, place a short at port 2

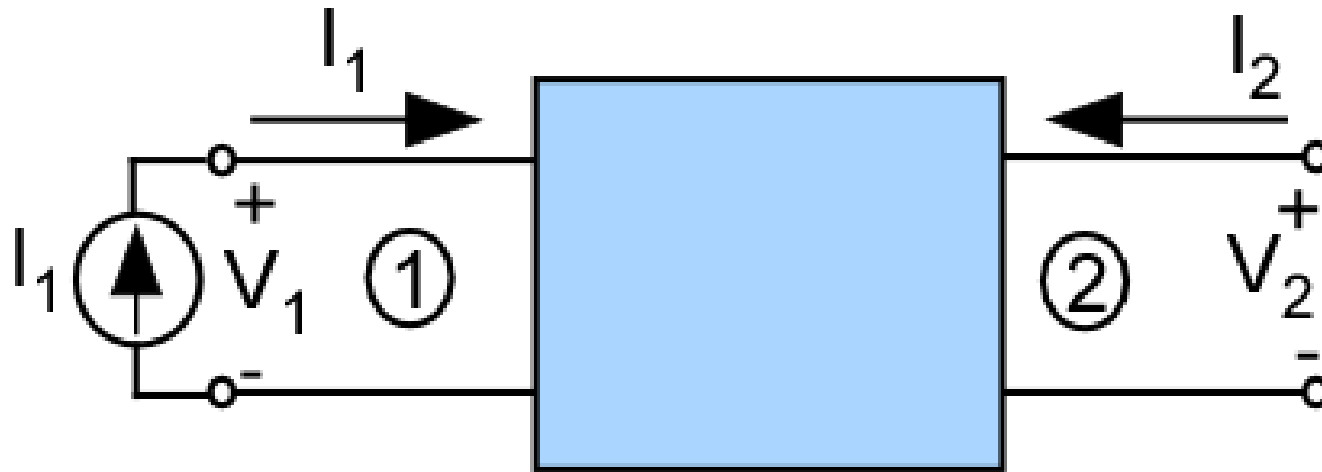
Z Parameters



$$V_1 = z_{11}I_1 + z_{12}I_2$$

$$V_2 = z_{21}I_1 + z_{22}I_2$$

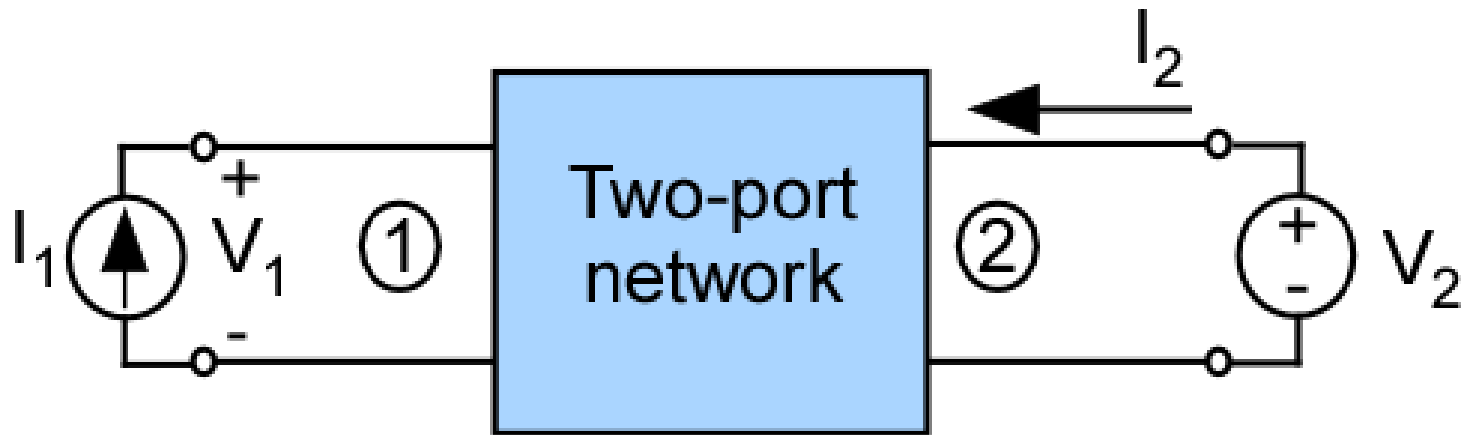
Z-parameter Calculations



$$z_{11} = \left. \frac{V_1}{I_1} \right|_{I_2=0} \quad z_{21} = \left. \frac{V_2}{I_1} \right|_{I_2=0}$$

To make $I_2=0$, place an open at port 2

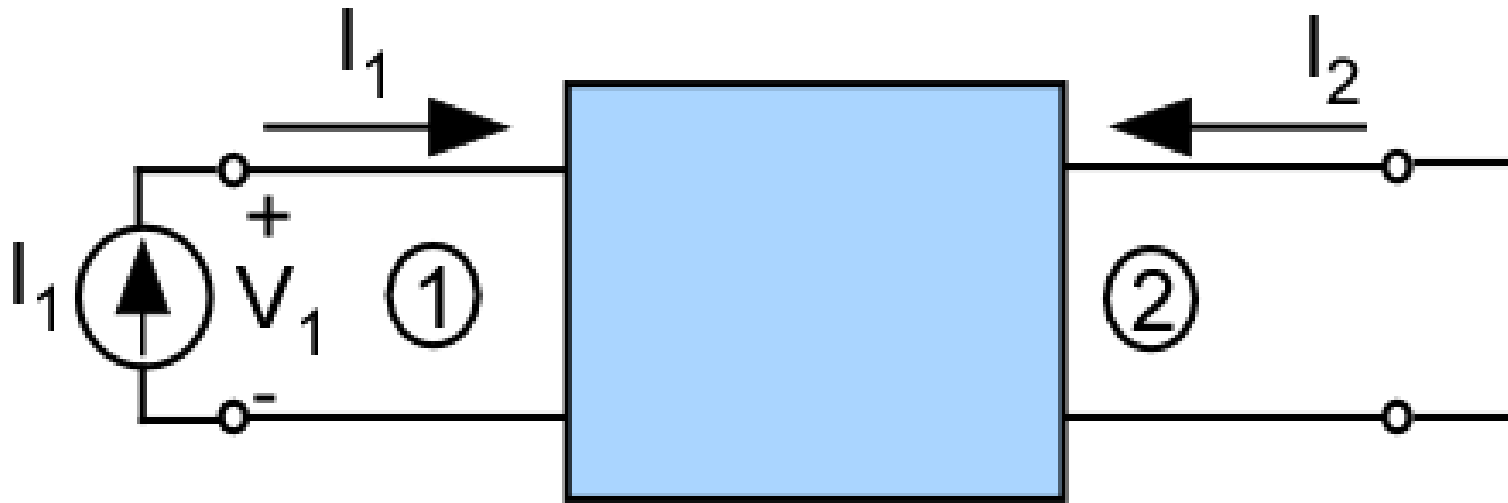
H Parameters



$$V_1 = h_{11}I_1 + h_{12}V_2$$

$$I_2 = h_{21}I_1 + h_{22}V_2$$

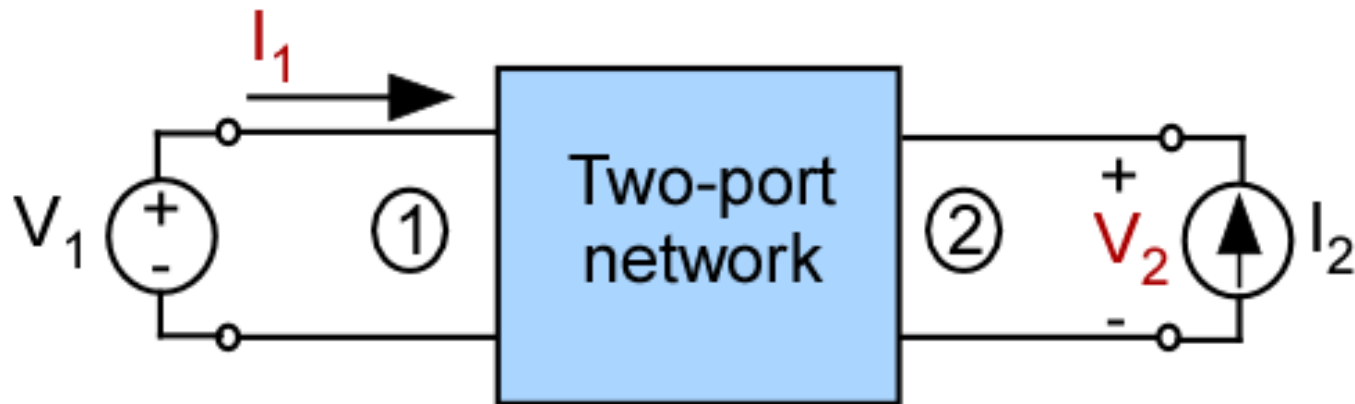
H Parameter Calculations



$$h_{11} = \left. \frac{V_1}{I_1} \right|_{V_2=0} \quad h_{21} = \left. \frac{I_2}{I_1} \right|_{V_2=0}$$

To make $V_2=0$, place a short at port 2

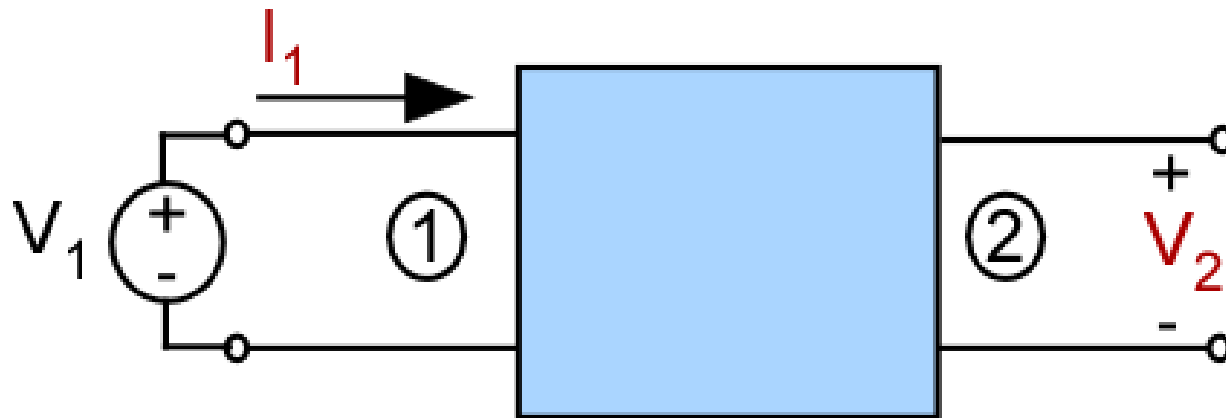
G Parameters



$$I_1 = g_{11}V_1 + g_{12}I_2$$

$$V_2 = g_{21}V_1 + g_{22}I_2$$

G-Parameter Calculations



$$g_{11} = \left. \frac{I_1}{V_1} \right|_{I_2=0} \qquad g_{21} = \left. \frac{V_2}{V_1} \right|_{I_2=0}$$

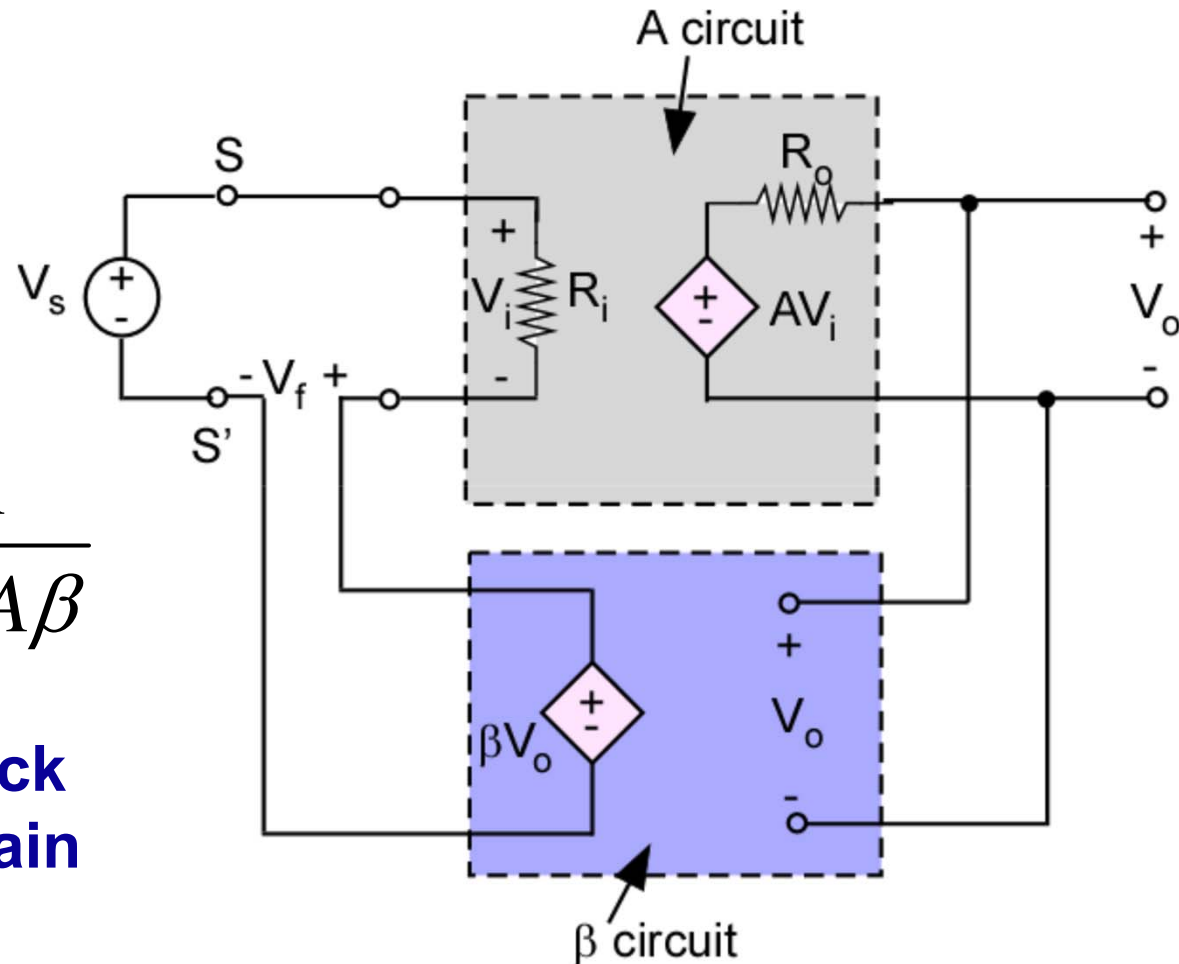
To make $I_2=0$, place an open at port 2

Series-Shunt Feedback - Ideal

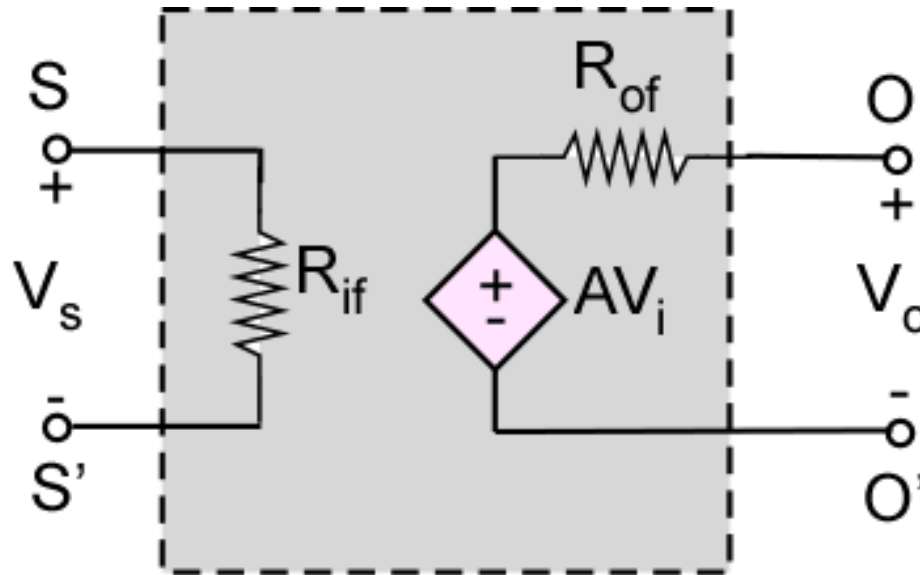
$$A \equiv \frac{V_o}{V_i}$$

$$A_f \equiv \frac{V_o}{V_s} = \frac{A}{1 + A\beta}$$

**Negative feedback
decreases the gain**



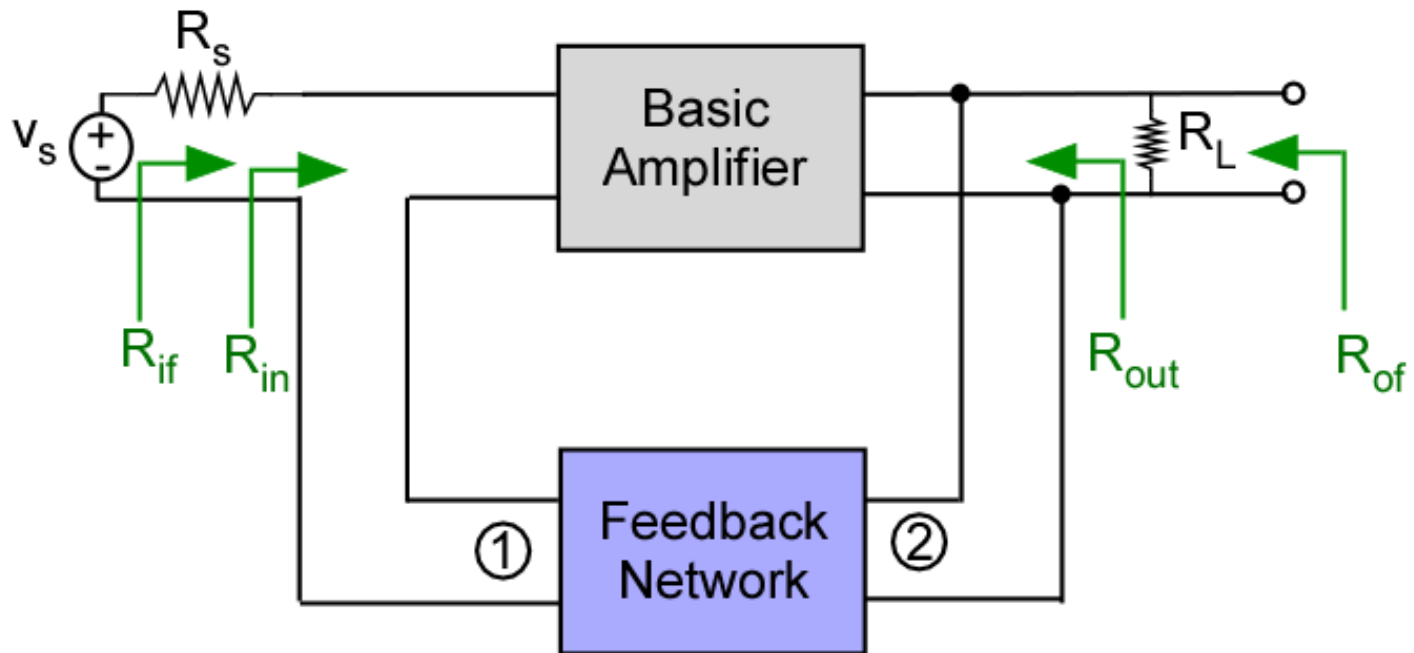
Series-Shunt Feedback – Equivalent Circuit



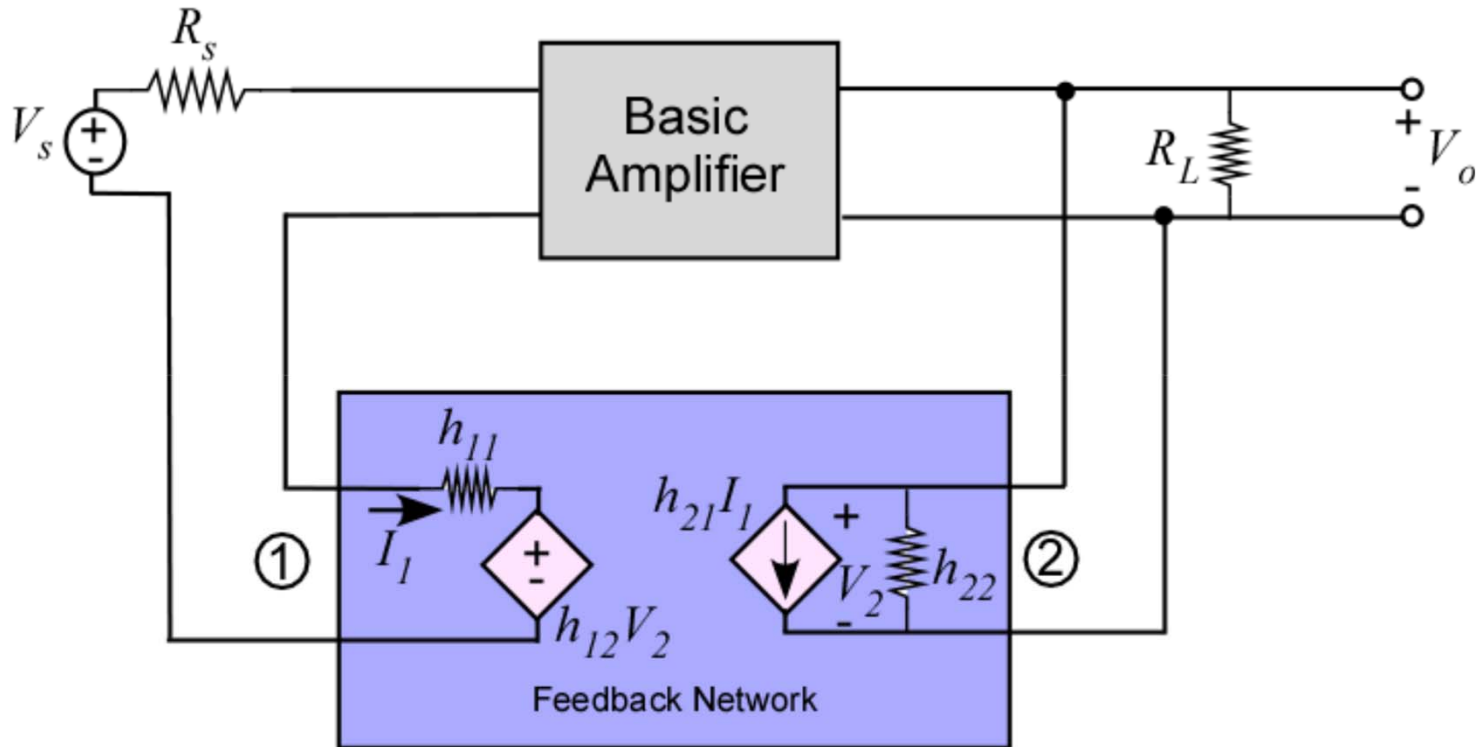
$$R_{if} = R_i (1 + A\beta) \qquad R_{of} = R_o / (1 + A\beta)$$

Negative feedback **increases** the input resistance and **decreases** the output resistance by a factor equal to the feedback

Series-Shunt Feedback - Actual

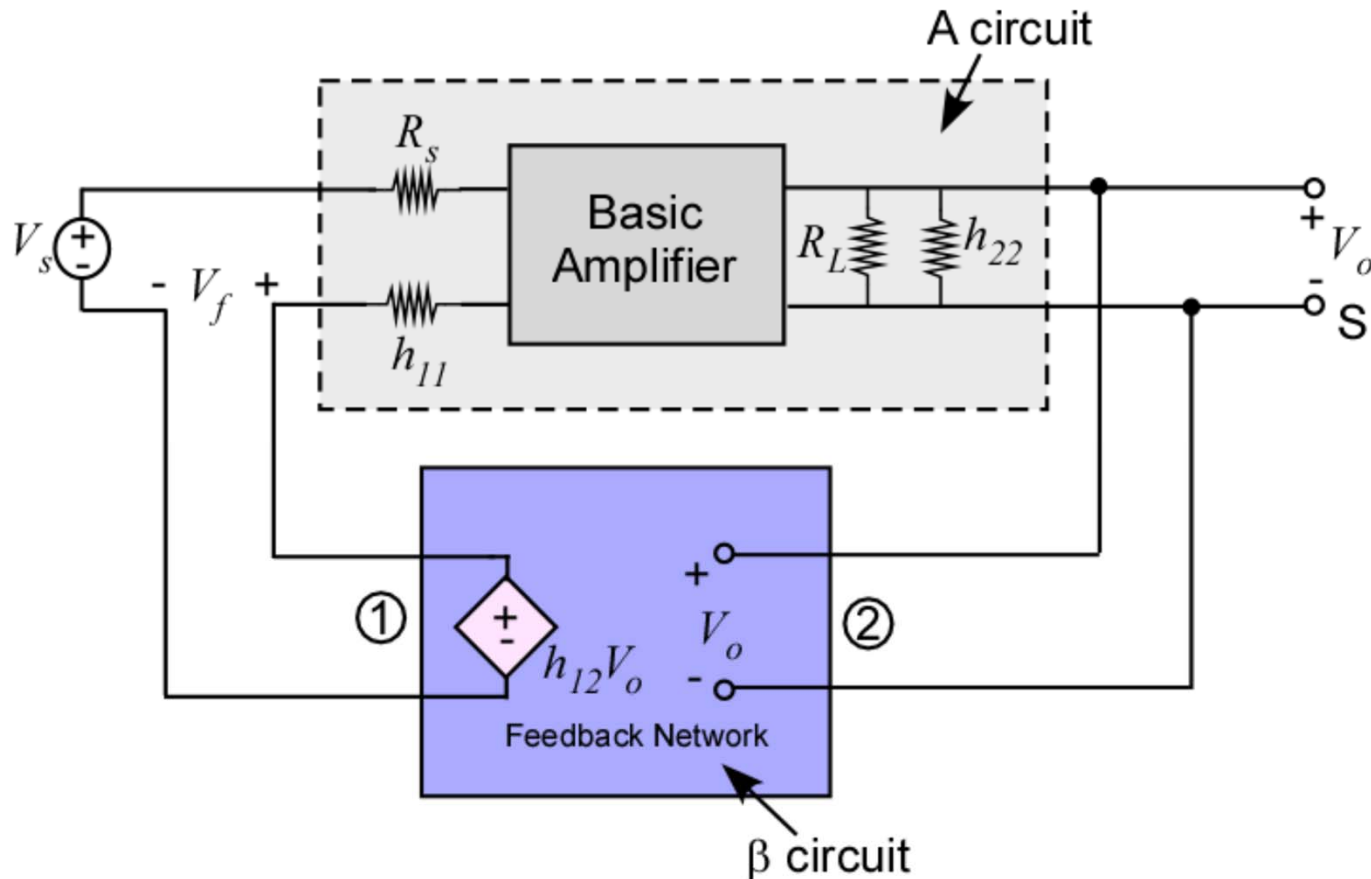


Series-Shunt Feedback : h-Parameters



Account for all 4 h parameters

Series-Shunt Feedback : h-Parameters



$$\left| h_{12} \right|_{\text{basic amplifier}} \ll \left| h_{12} \right|_{\text{feedback network}}$$

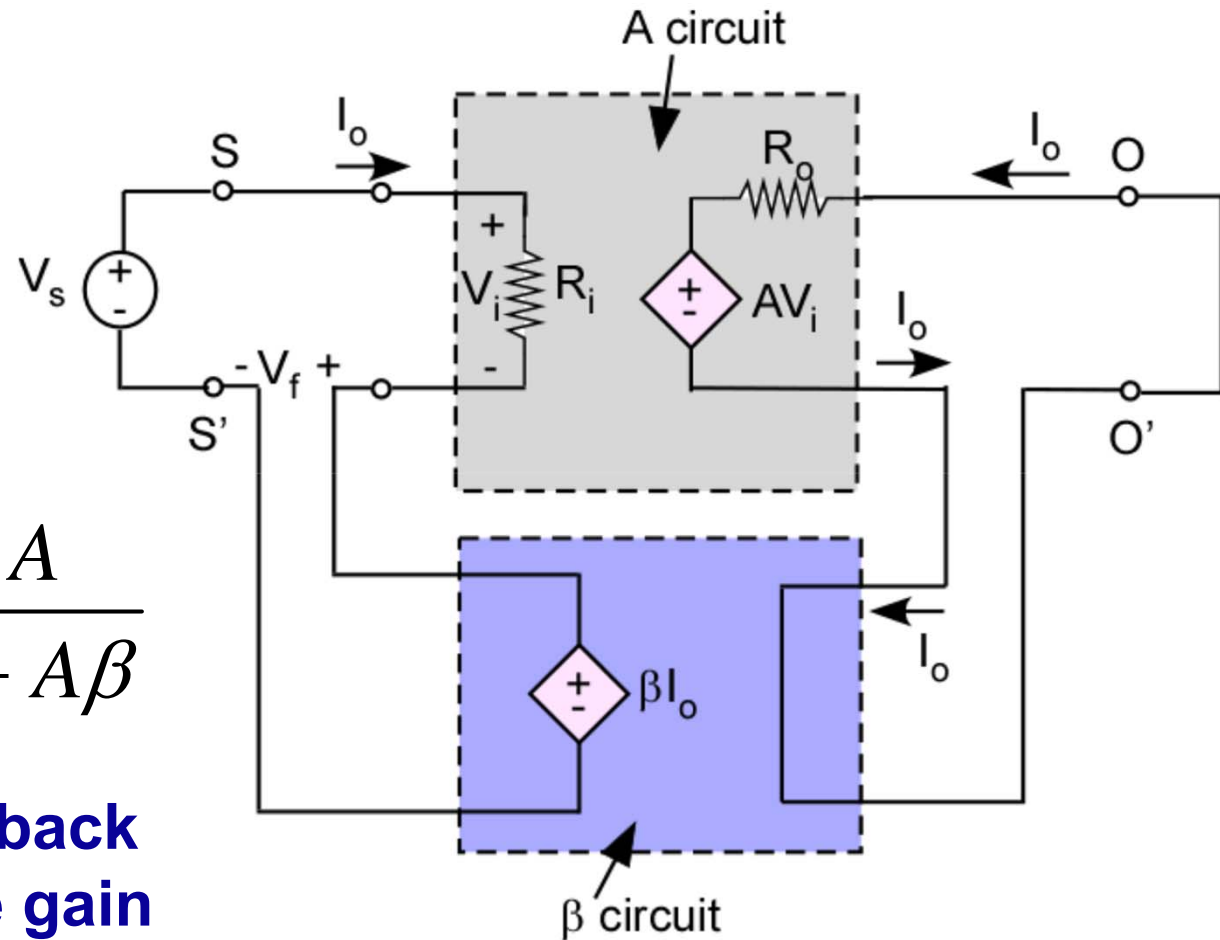
$$\left| h_{21} \right|_{\text{feedback network}} \ll \left| h_{21} \right|_{\text{basic amplifier}}$$

Series-Series Feedback - Ideal

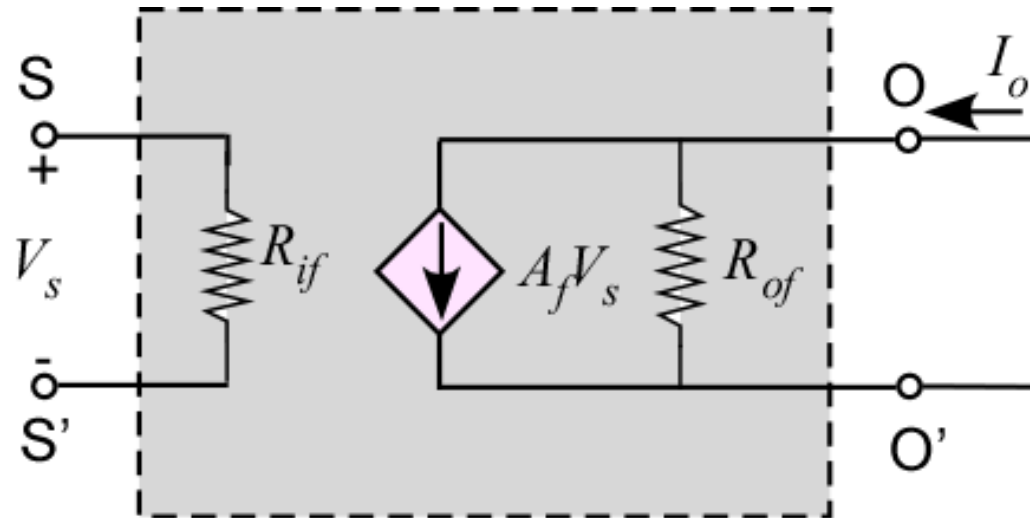
$$A \equiv \frac{I_o}{V_i}$$

$$A_f \equiv \frac{I_o}{V_s} = \frac{A}{1 + A\beta}$$

Negative feedback decreases the gain



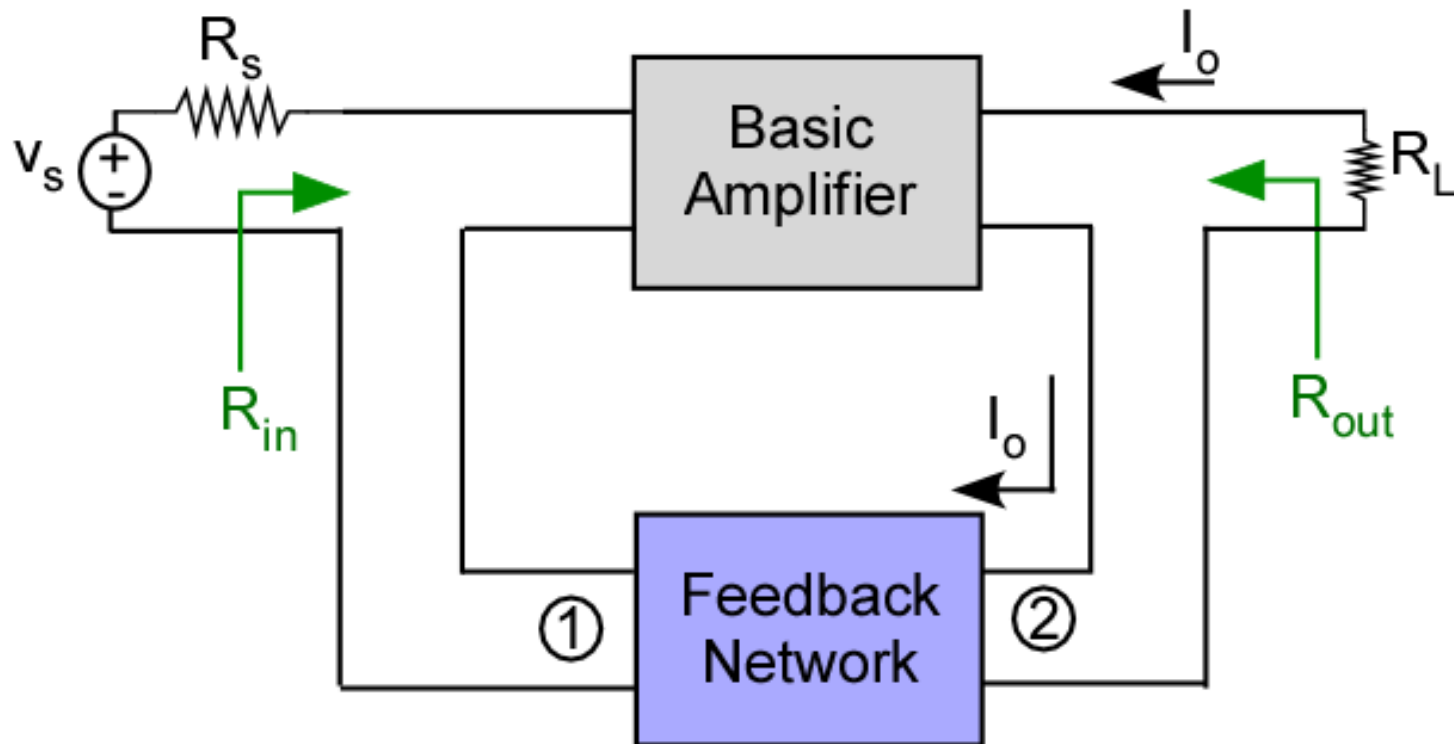
Series-Series Feedback – Equivalent Circuit



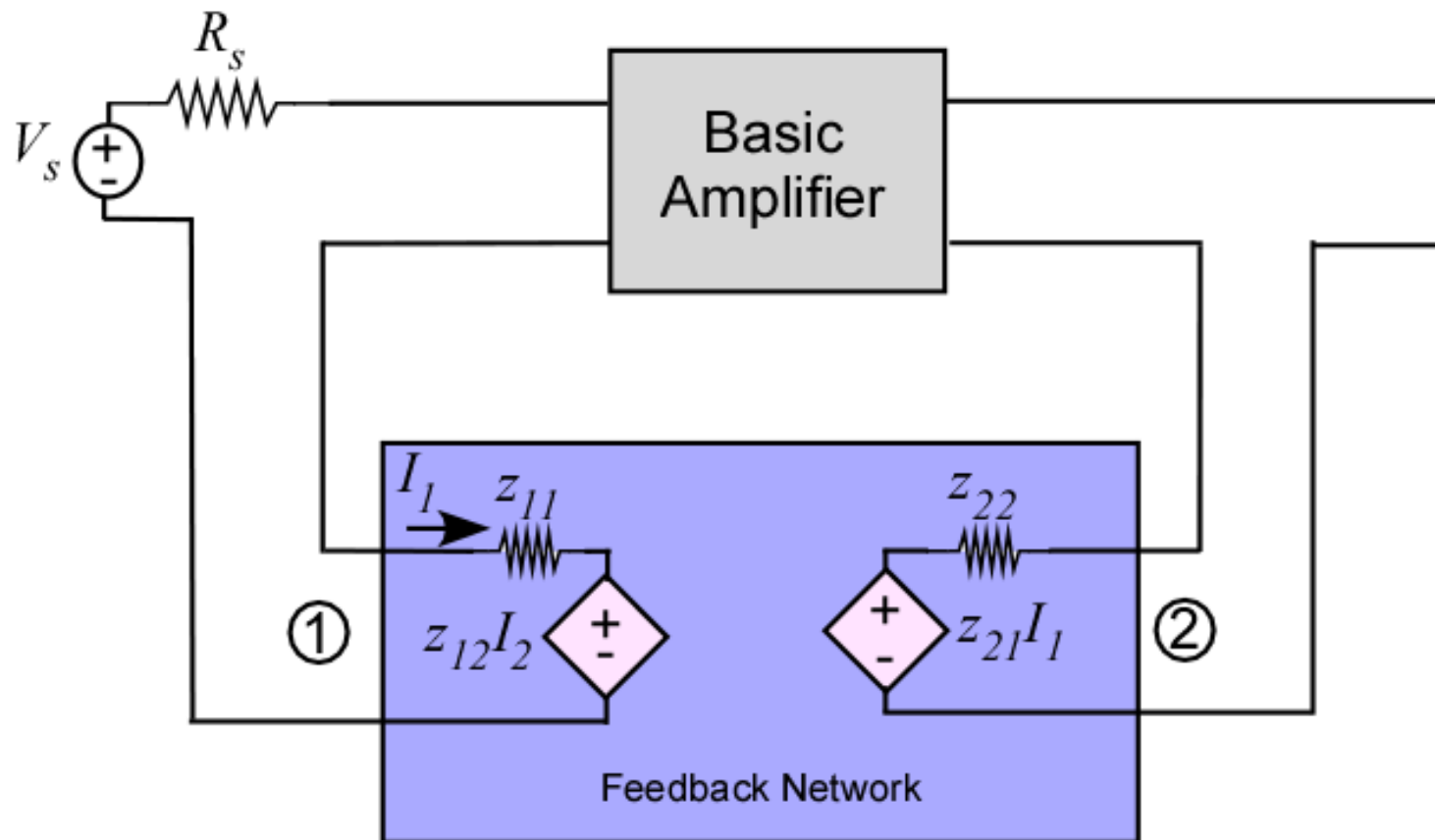
$$R_{if} = R_i (1 + A\beta) \qquad R_{of} = R_o (1 + A\beta)$$

Negative feedback **increases** the input resistance and **increases** the output resistance by a factor equal to the feedback

Series-Series Feedback - Actual

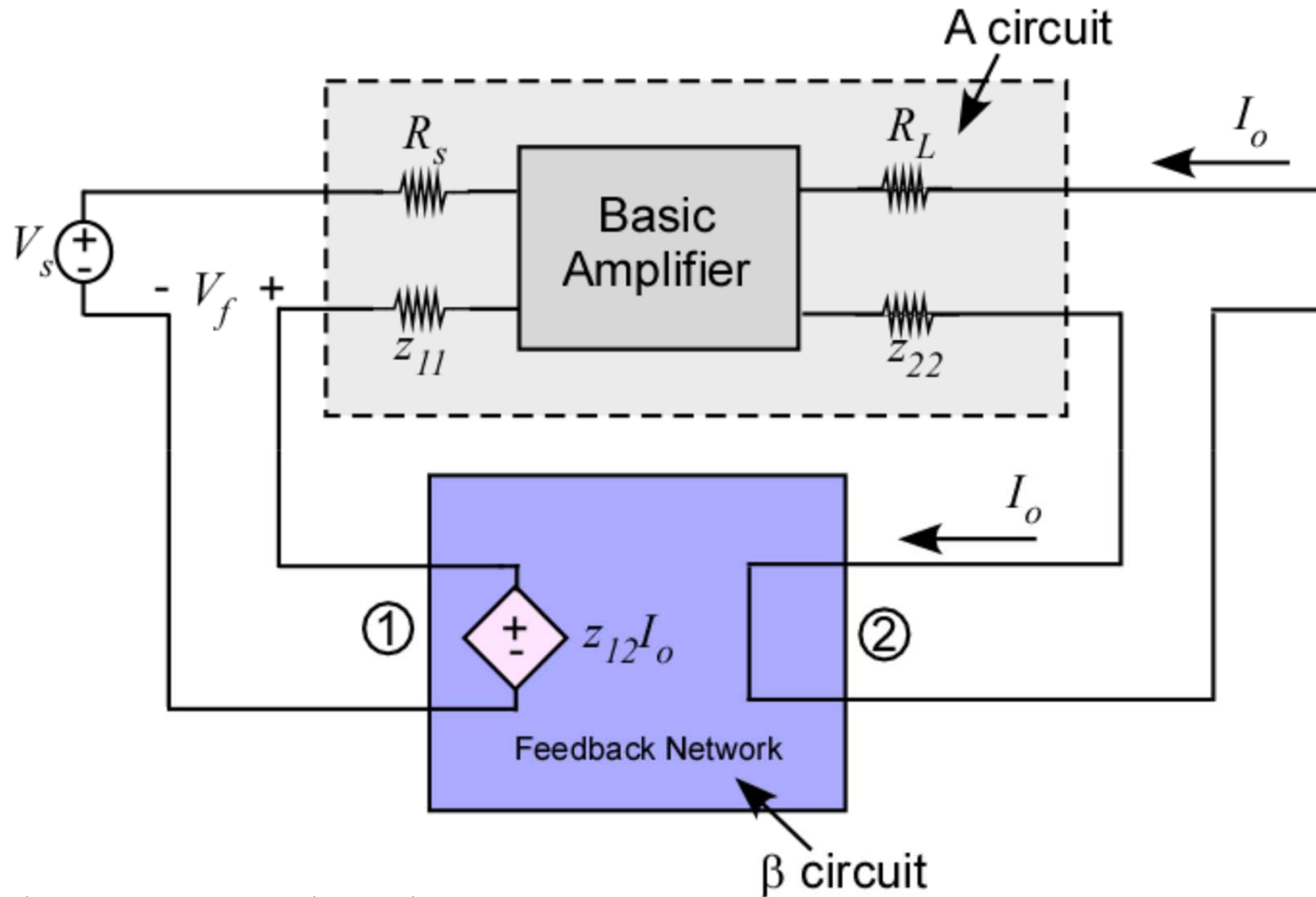


Series-Series Feedback: Z Parameters



Account for all 4 z parameters

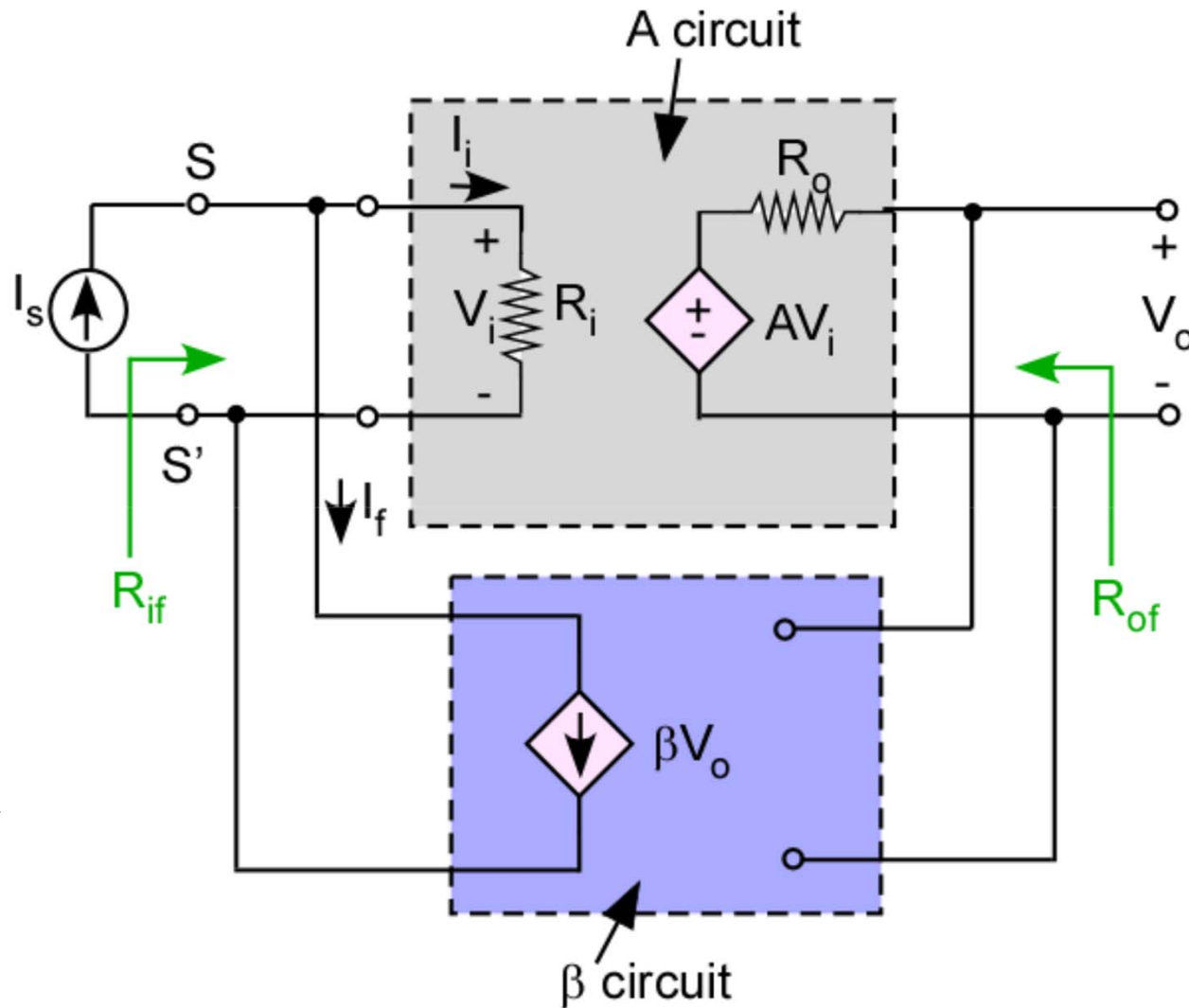
Series-Series Feedback: Z Parameters



$$\left| z_{12} \right|_{\text{basic amplifier}} \ll \left| z_{12} \right|_{\text{feedback network}}$$

$$\left| z_{21} \right|_{\text{feedback network}} \ll \left| z_{21} \right|_{\text{basic amplifier}}$$

Shunt-Shunt Feedback - Ideal



$$A \equiv \frac{V_o}{I_i}$$

Shunt-Shunt Feedback

$$A_f \equiv \frac{V_o}{I_s} = \frac{A}{1 + A\beta}$$

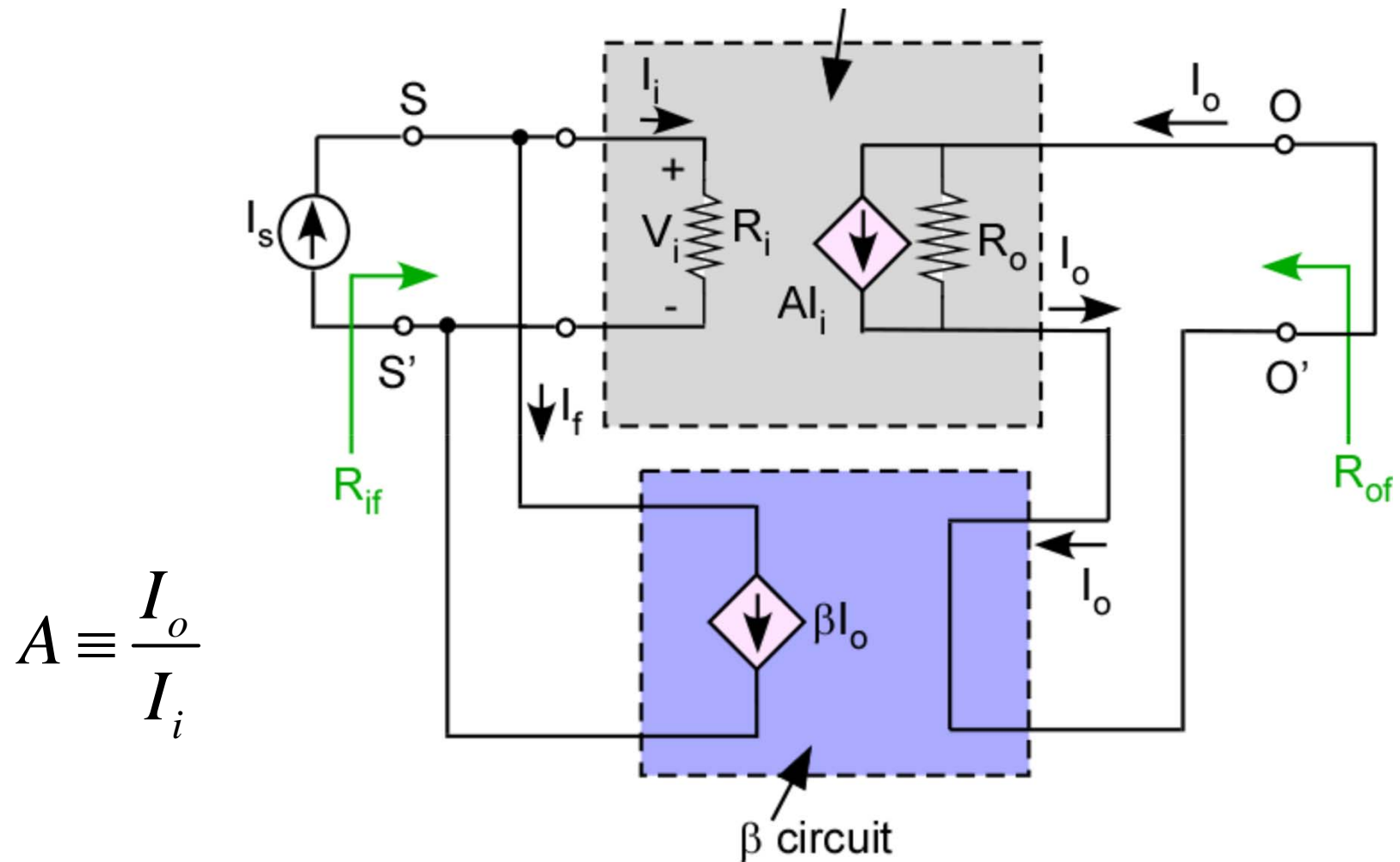
Negative feedback decreases the gain

$$R_{if} = R_i / (1 + A\beta) \qquad R_{of} = R_o / (1 + A\beta)$$

Negative feedback **decreases** the input resistance and **decreases** the output resistance by a factor equal to the feedback

$$\left| y_{12} \right|_{\text{basic amplifier}} \ll \left| y_{12} \right|_{\text{feedback network}} \qquad \left| y_{21} \right|_{\text{feedback network}} \ll \left| y_{21} \right|_{\text{basic amplifier}}$$

Shunt-Series Feedback - Ideal



$$A \equiv \frac{I_o}{I_i}$$

Shunt-Series Feedback

$$A_f \equiv \frac{I_o}{I_s} = \frac{A}{1 + A\beta}$$

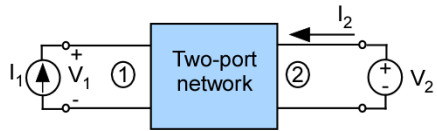
Negative feedback decreases the gain

$$R_{if} = R_i / (1 + A\beta) \qquad R_{of} = R_o (1 + A\beta)$$

Negative feedback **decreases** the input resistance and **increases** the output resistance by a factor equal to the feedback

$$\left| g_{12} \right|_{\text{basic amplifier}} \ll \left| g_{12} \right|_{\text{feedback network}} \qquad \left| g_{21} \right|_{\text{feedback network}} \ll \left| g_{21} \right|_{\text{basic amplifier}}$$

Rules for Series-Shunt Feedback

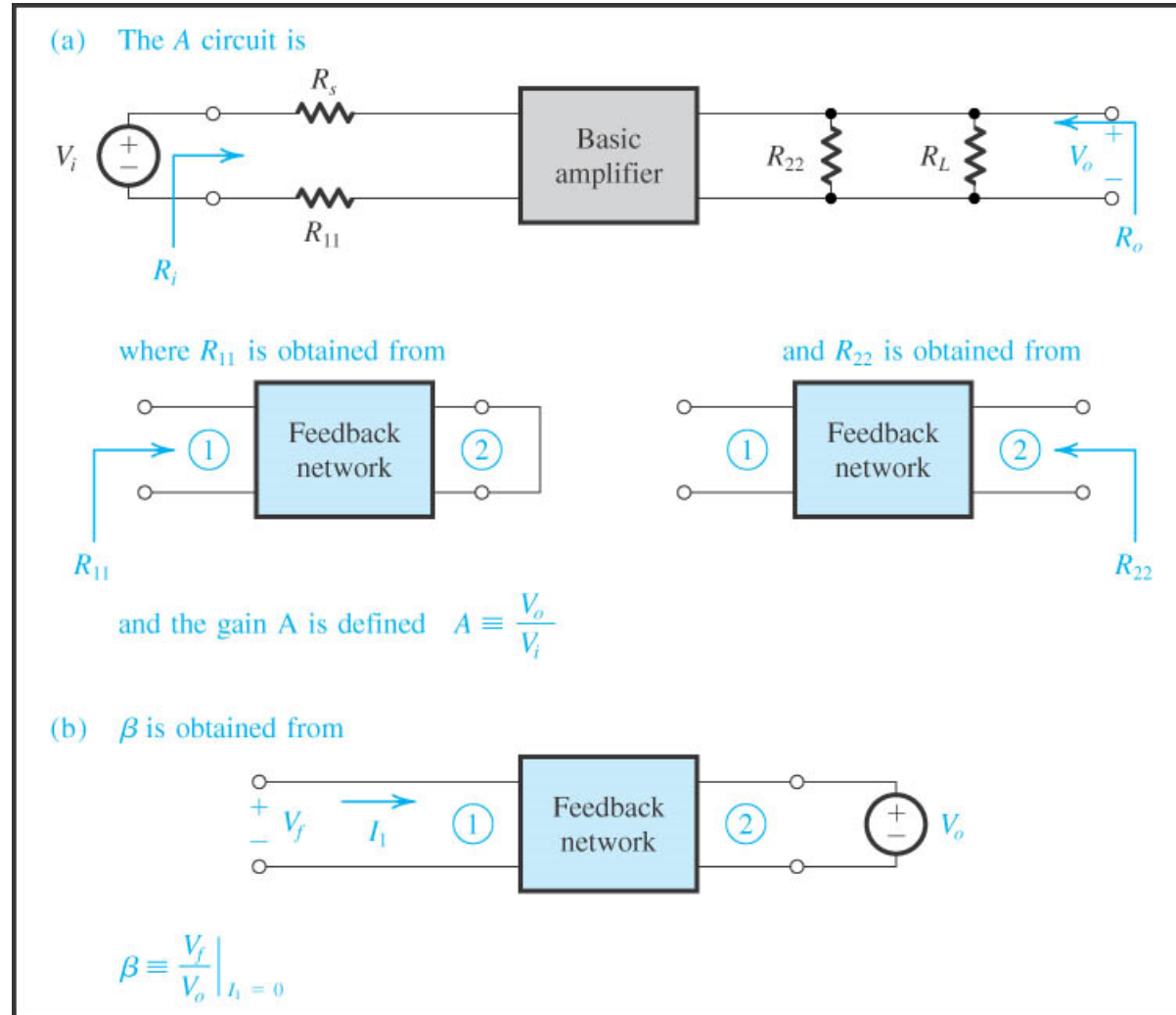


$$V_1 = h_{11}I_1 + h_{12}V_2$$

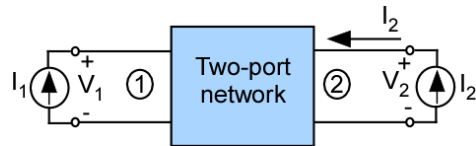
$$I_2 = h_{21}I_1 + h_{22}V_2$$

$$h_{11} = \left. \frac{V_1}{I_1} \right|_{V_2=0} \quad h_{21} = \left. \frac{I_2}{I_1} \right|_{V_2=0}$$

$$h_{12} = \left. \frac{V_1}{V_2} \right|_{I_1=0} \quad h_{22} = \left. \frac{I_2}{V_2} \right|_{I_1=0}$$



Rules for Series-Series Feedback

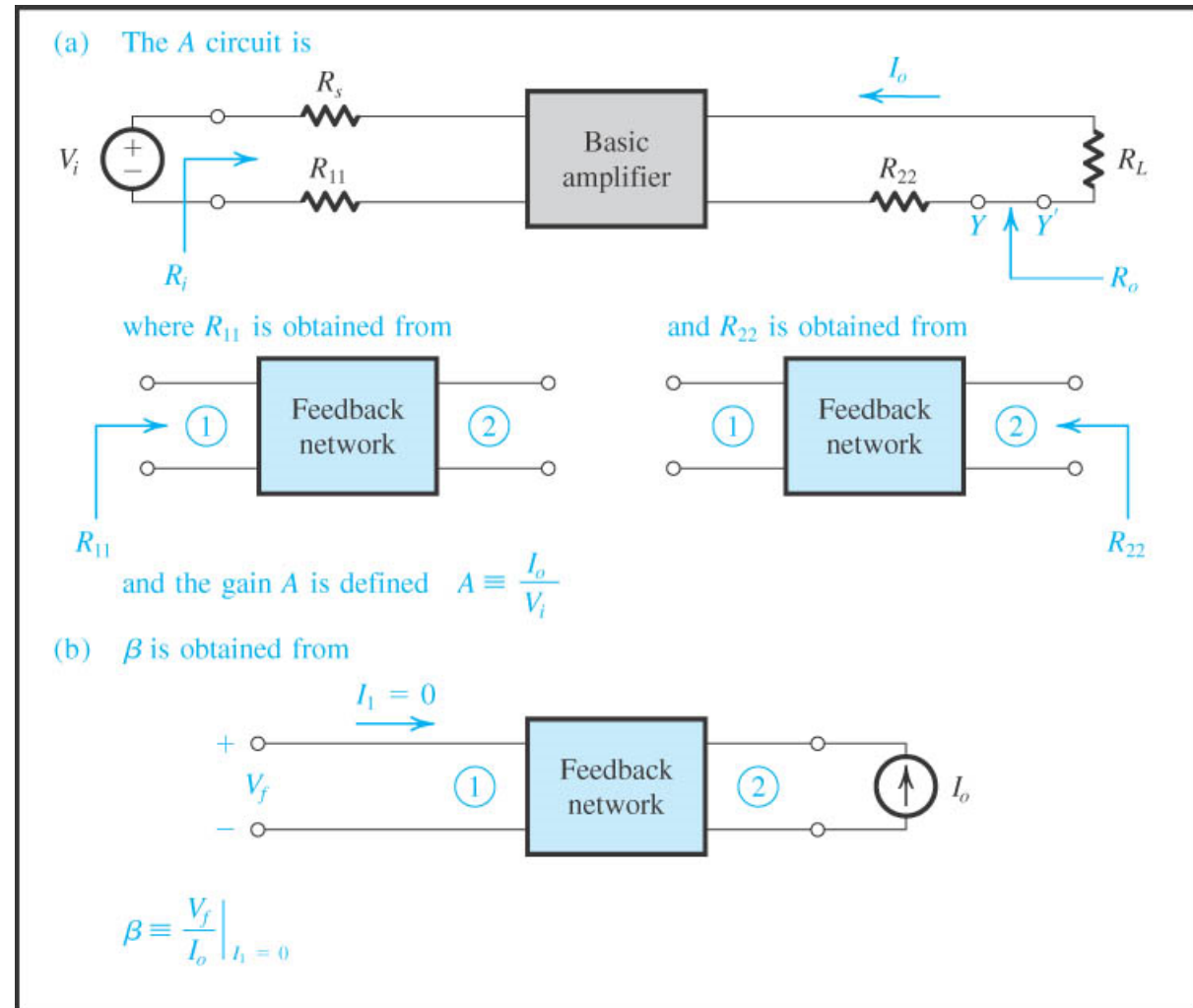


$$V_1 = z_{11}I_1 + z_{12}I_2$$

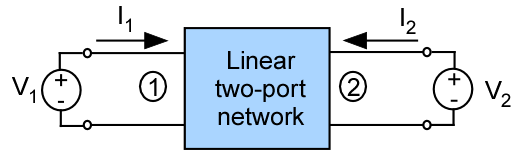
$$V_2 = z_{21}I_1 + z_{22}I_2$$

$$z_{11} = \left. \frac{V_1}{I_1} \right|_{I_2=0} \quad z_{21} = \left. \frac{V_2}{I_1} \right|_{I_2=0}$$

$$z_{12} = \left. \frac{V_1}{I_2} \right|_{I_1=0} \quad z_{22} = \left. \frac{V_2}{I_2} \right|_{I_1=0}$$



Rules for Shunt-Shunt Feedback

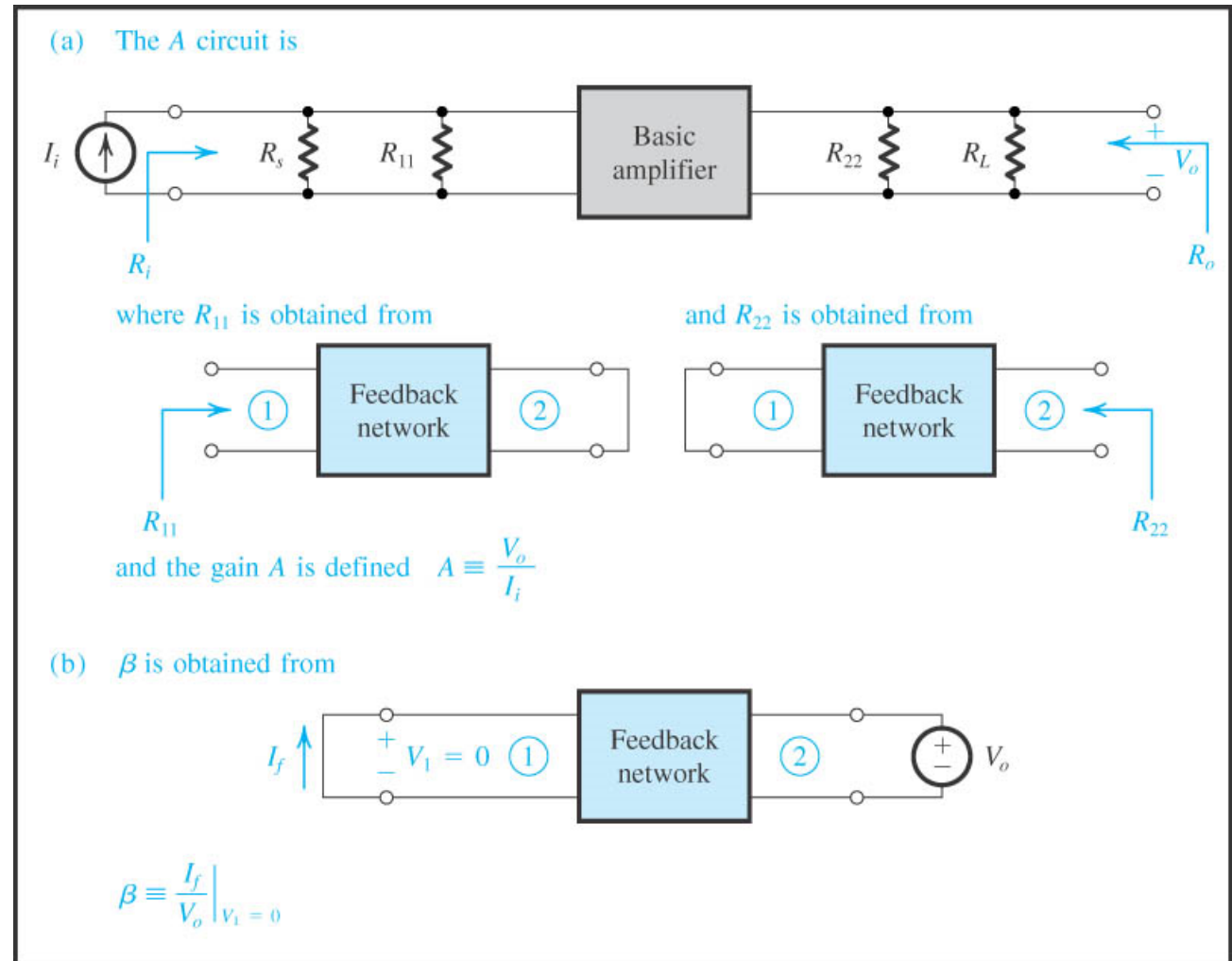


$$I_1 = y_{11}V_1 + y_{12}V_2$$

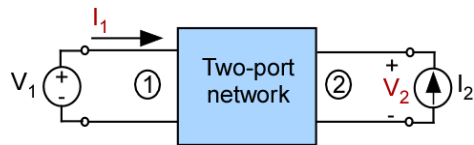
$$I_2 = y_{21}V_1 + y_{22}V_2$$

$$y_{11} = \left. \frac{I_1}{V_1} \right|_{V_2=0} \quad y_{21} = \left. \frac{I_2}{V_1} \right|_{V_2=0}$$

$$y_{12} = \left. \frac{I_1}{V_2} \right|_{V_1=0} \quad y_{22} = \left. \frac{I_2}{V_2} \right|_{V_1=0}$$



Rules for Shunt-Series Feedback



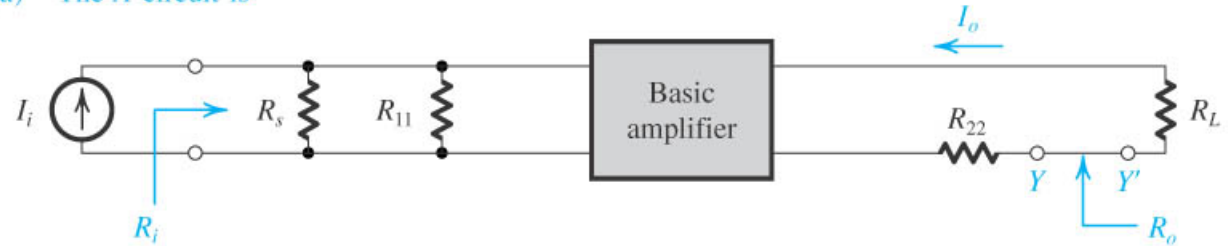
$$I_1 = g_{11}V_1 + g_{12}I_2$$

$$V_2 = g_{21}V_1 + g_{22}I_2$$

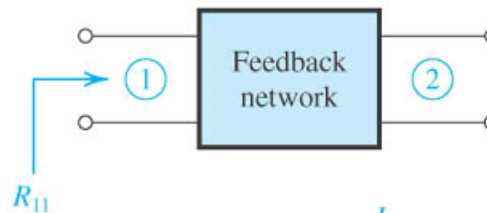
$$g_{11} = \left. \frac{I_1}{V_1} \right|_{I_2=0} \quad g_{21} = \left. \frac{V_2}{V_1} \right|_{I_2=0}$$

$$g_{12} = \left. \frac{I_1}{I_2} \right|_{V_1=0} \quad g_{22} = \left. \frac{V_2}{I_2} \right|_{V_1=0}$$

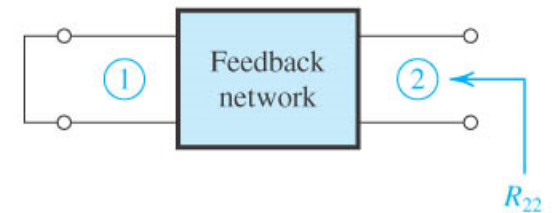
(a) The A circuit is



where R_{11} is obtained from

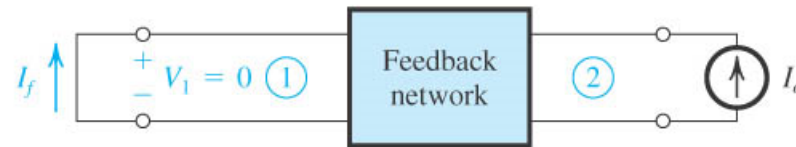


and R_{22} is obtained from



and the gain A is defined as $A \equiv \frac{I_o}{I_i}$

(b) β is obtained from



$$\beta \equiv \left. \frac{I_f}{I_o} \right|_{V_1=0}$$